

MAFARAW MIEIRUIN

1:10 SCALE 2WD NITRO TRUCK
TR2 CHASSIS



Team

Notice

Thank you for purchasing this Metron Offroad Truckby Team C. This manual shows instructions and tips to built and maintain your Metron. Please take some time to read through to get familiar with the shown steps.

We continually improve our products, due to that, actual parts my be different to the illustrations. Please check our website for the latest versions manuals and tips before you start to built this model.

This manual is written in english language only. If you need a manual in your language please visit our website or contact your distributor!

Diese Anleitung wurde in englischer Sprache verfasst. Sollten sie eine Anleitung in ihrer Sprache benötigen, besuchen sie unsere website oder konaktieren sie ihren Vertriebsagenten.

Questo manuale è stato scritto in inglese. Se avete bisogno del manuale nella tua lingua, si prega di visitare il nostro sito web o contattate il proprio distributore.

Este manual está escrito en Inglés. Si necesita el manual en su idioma, por favor visite nuestro sitio web o contacte con su distribuidor.

Ce manuel est écrit en langue anglaise. Si vous avez besoin d'un manuel dans votre langue s'il vous plaît visitez notre site web ou contactez votre distributeur!

Deze handleiding is geschreven in het Engels taal beschikbaar. Als u een handleiding in uw eigen taal kunt u terecht op onze website of neem contact op met uw distributeur!

Generall Information

THIS IS NOT A TOY!

Not suitable for children under 14 years of age without adult supervision.

This is a high performance vehicle, for safety reason don't run on public streets, in crowded areas, environmentally areas or near children or animals.

This model contains rotating parts and parts which become hot during operation. Care must been taken to avoid damage or injuries.

This product may require some assembly and routine maintance.

This product is covered by warranty based on material defectives. Crash damage or maintenance failures are not covered under warranty.

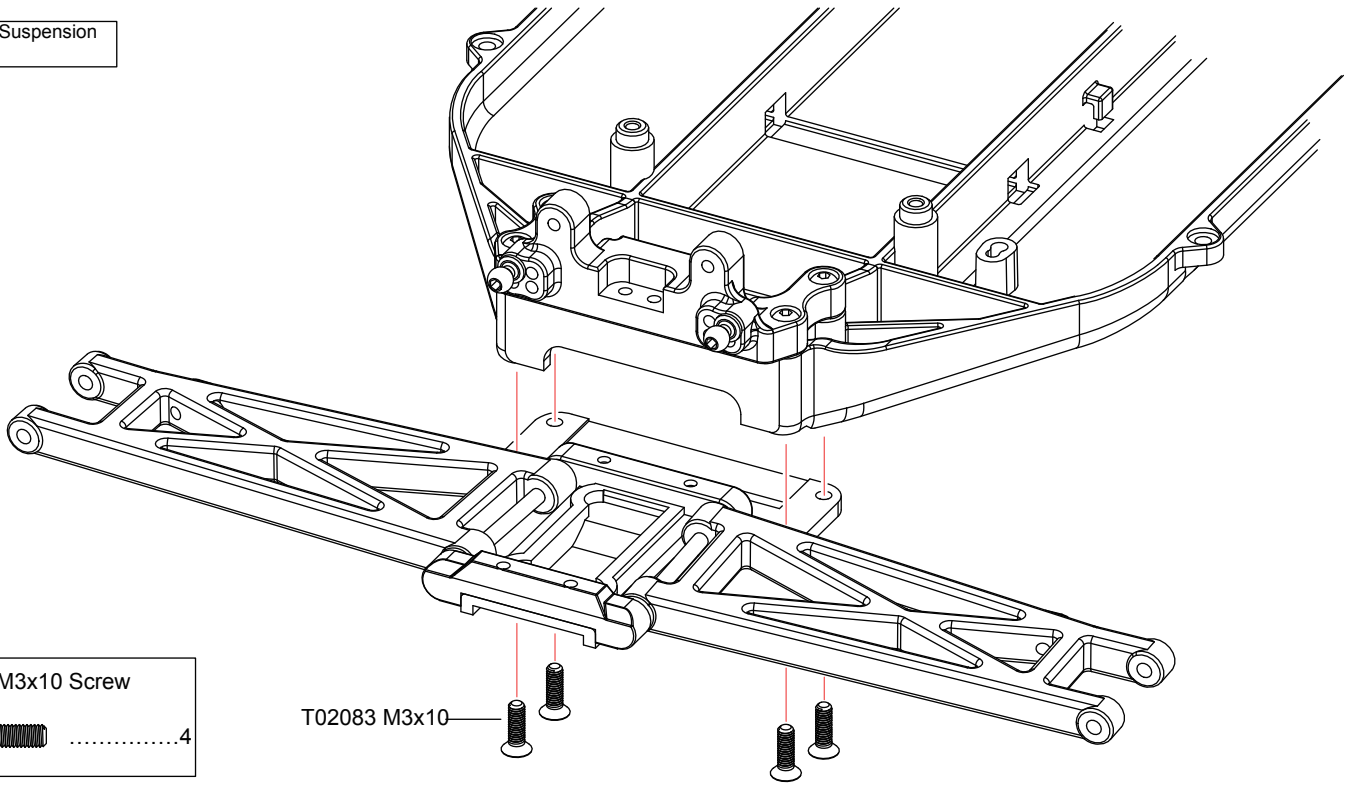
Batteries should be used in good condition only, and need to be fully charged.


Nitro models should be driven outside of buildings only. Inhaling exhaust gases could cause health damage.

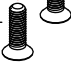
Keep chemicals stored out of the range of small children.

Make sure your model and equipment is in perfect condition before you use it, to ensure savety and fun while driving.

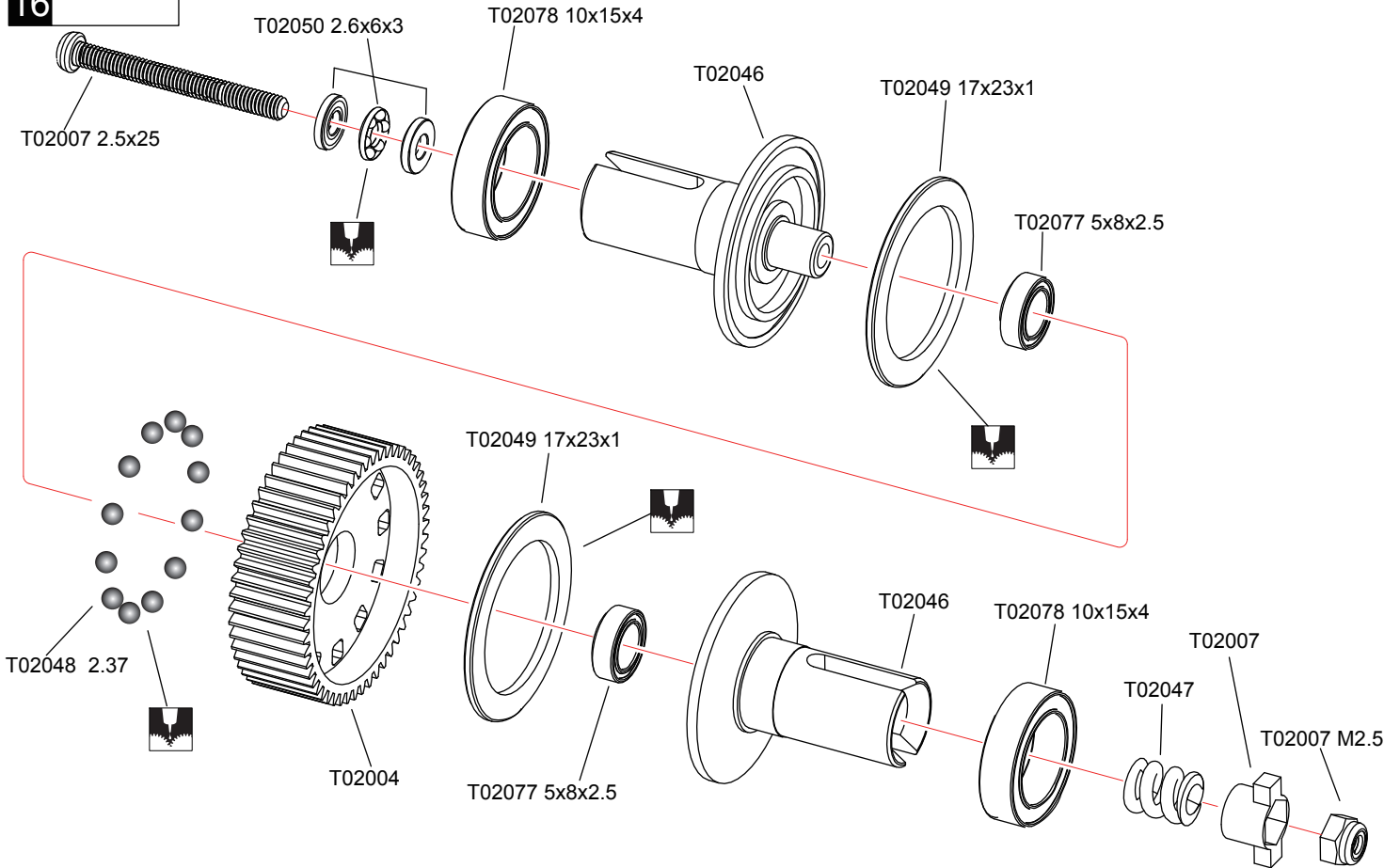
15 Rear Suspension



T02083 M3x10 Screw
4

T02083 M3x10


16 Differential

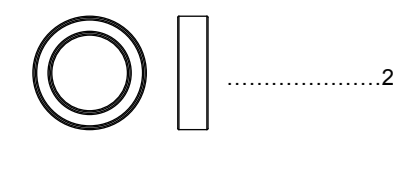
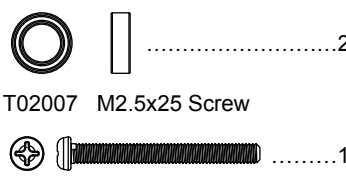
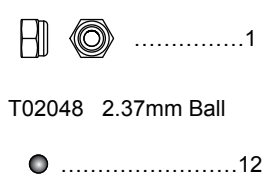
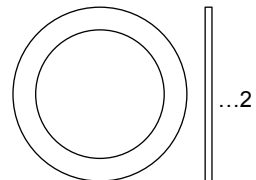



T02049 17x23x1 Washer

T02007 M2.5 Nylon Nut

T02077 5x8x2.5 Contain oil ball bearing

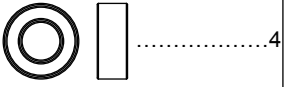
T02078 10x15x4 Contain oil ball bearing



 Apply Grease

17 Transmission

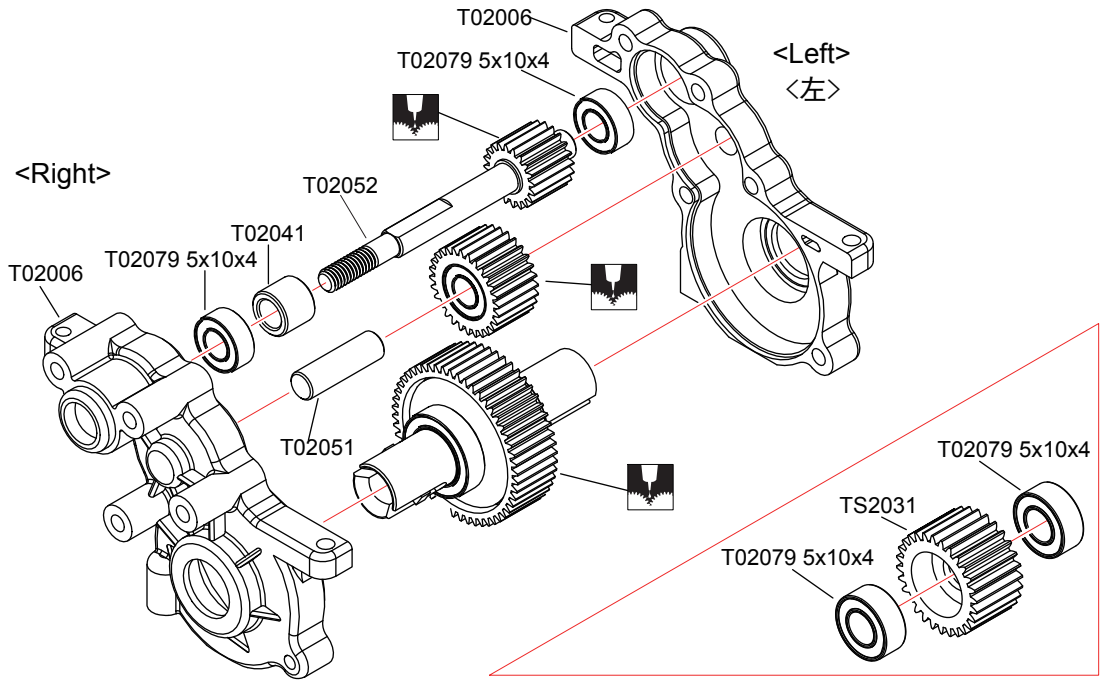
T02079 5x10x4 Contain oil ball bearing



T02051 5x16.8 Idler gear shaft
5x16.8 减速齿轮轴



T02041 5x8x6.7 Top shaft spacer

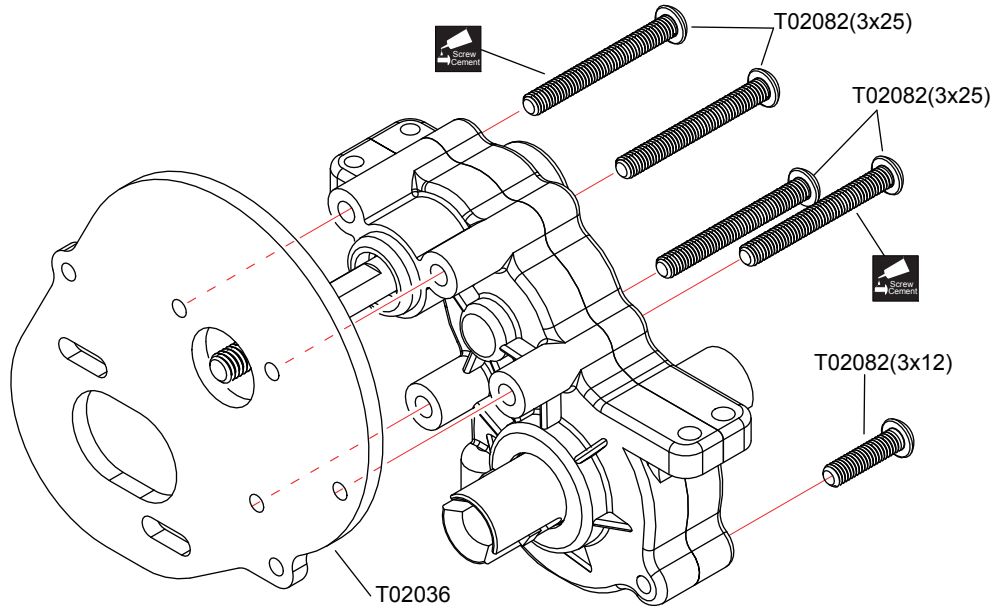


18 Motor Mount 马达座

T02082 M3x12 Screw

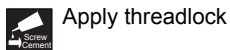
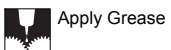
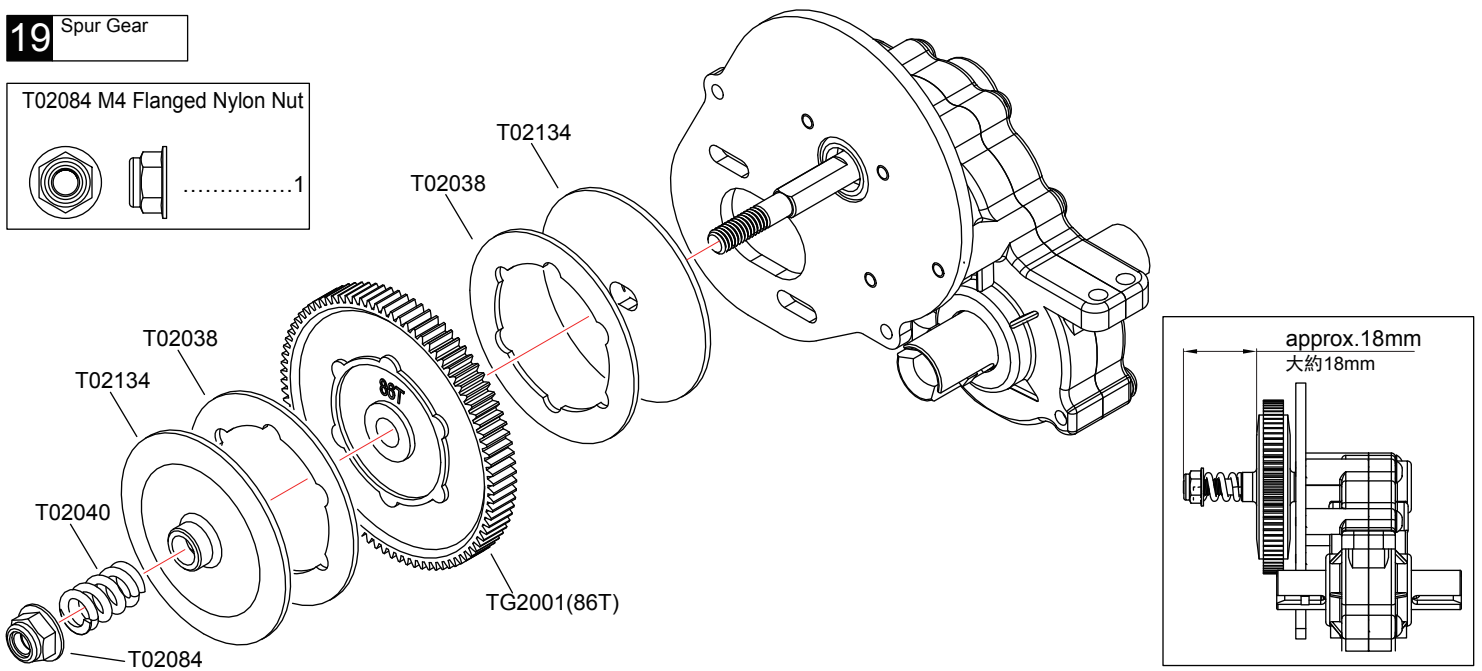
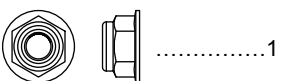


T02082 M3x25 Screw

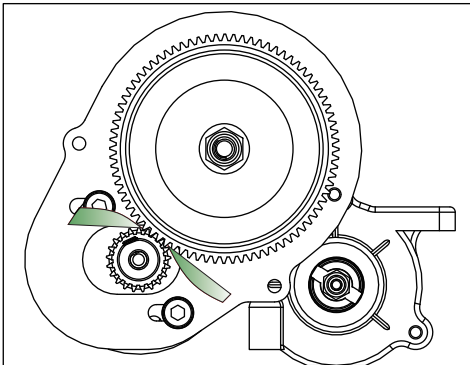
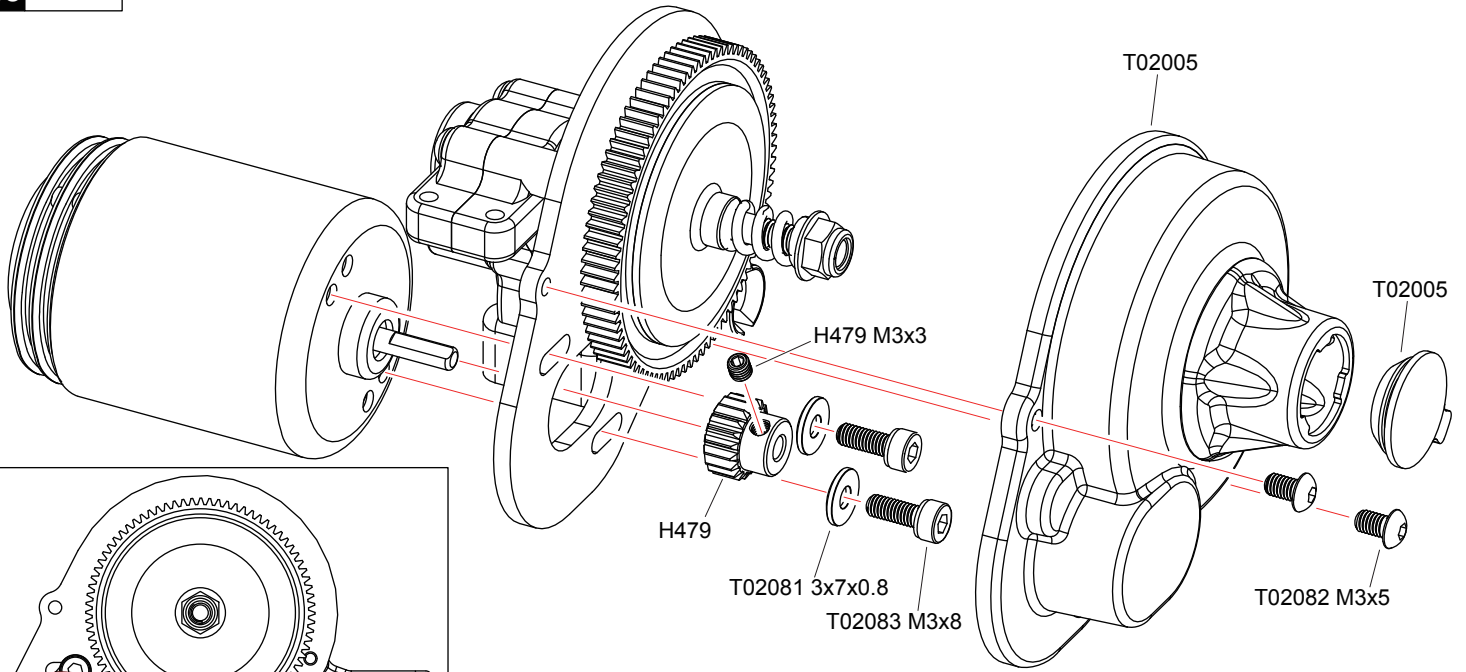


19 Spur Gear

T02084 M4 Flanged Nylon Nut



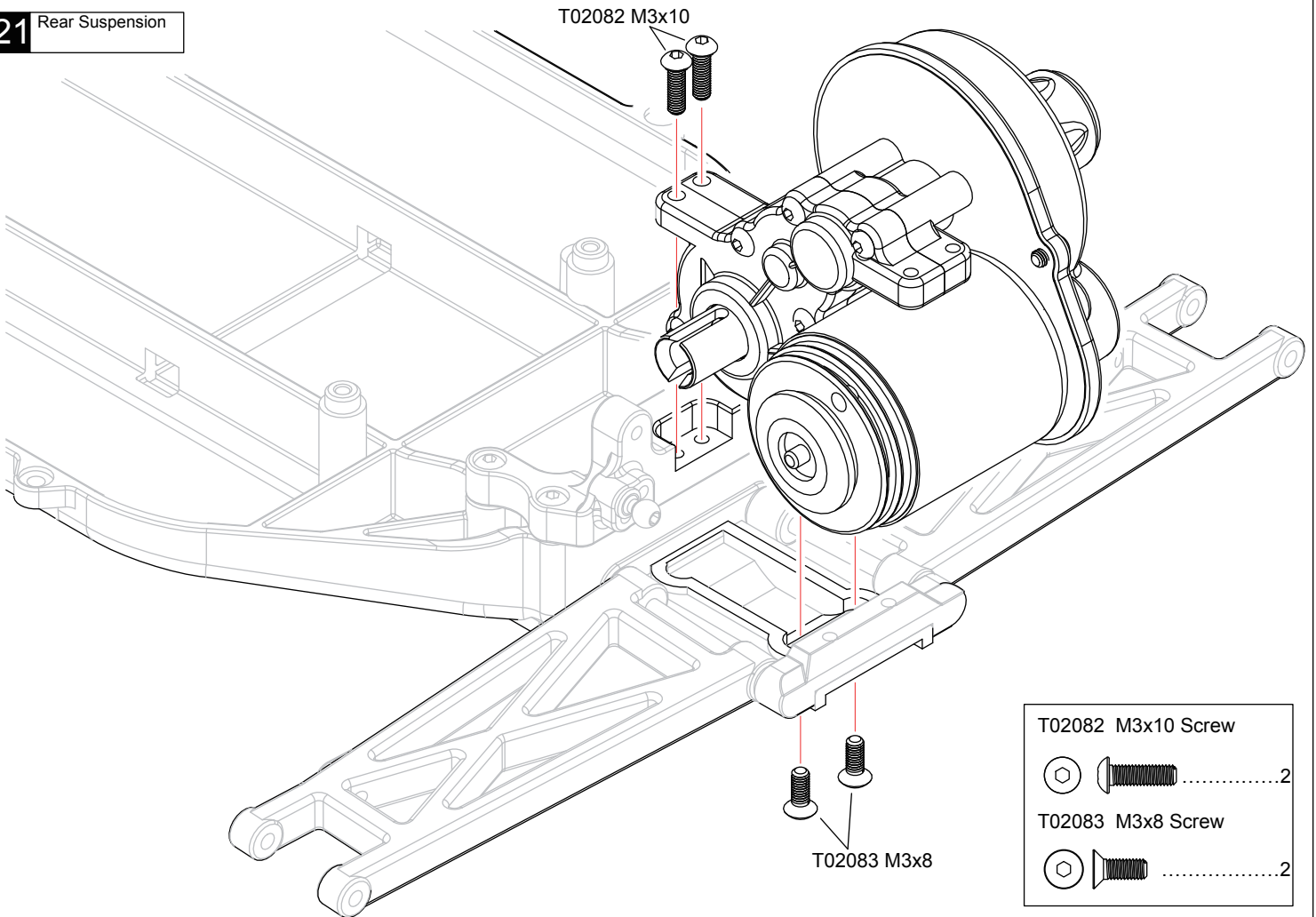
20 Motor



Tighten the screws with one sheet of paper inserted between both gears.

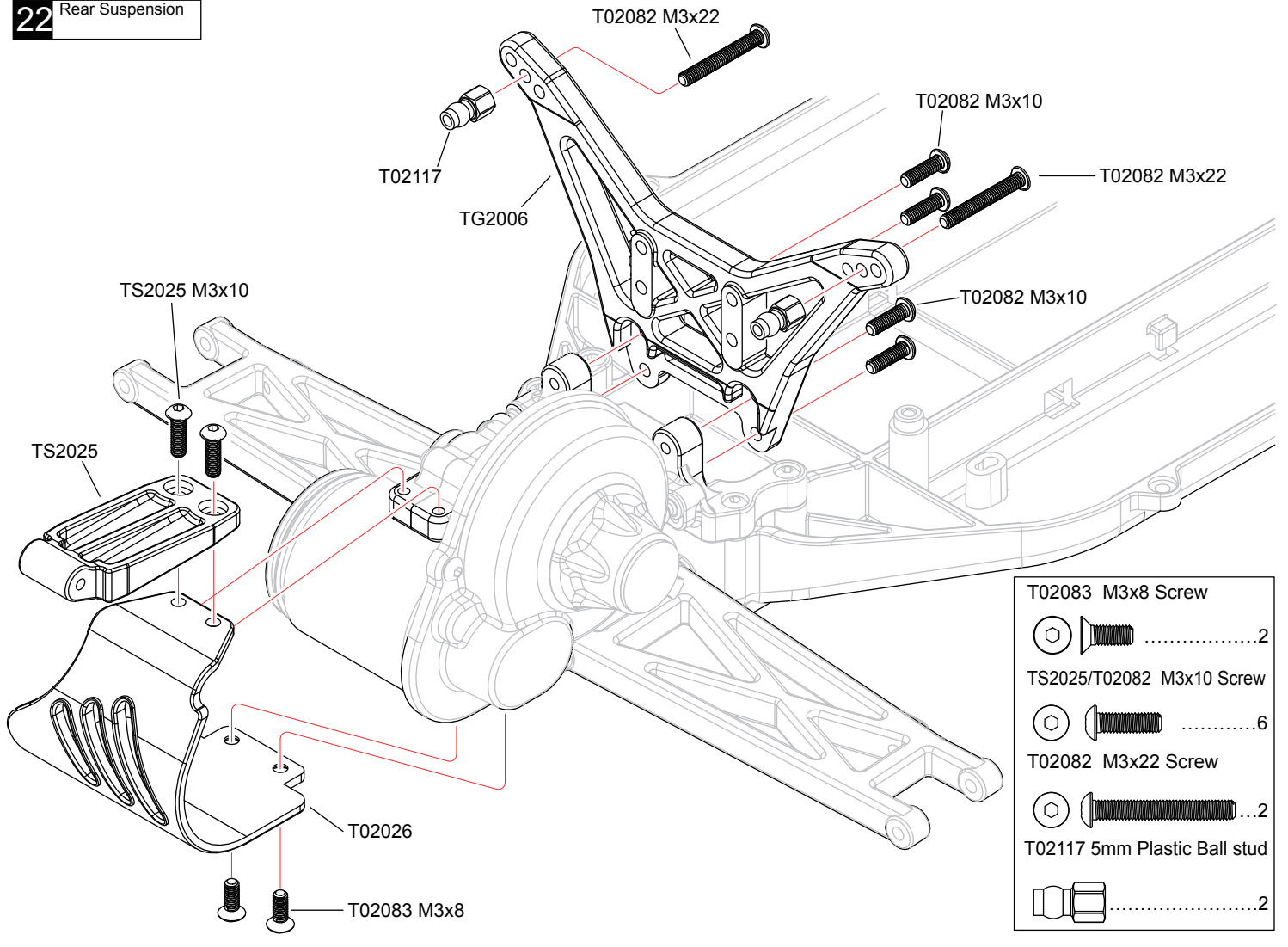
T02083 M3x8 Screw	T02082 M3x5 Screw	T02081 3x7x0.8 Washer	H479 M3x3 Screw
.....
2	2	2	1

21 Rear Suspension

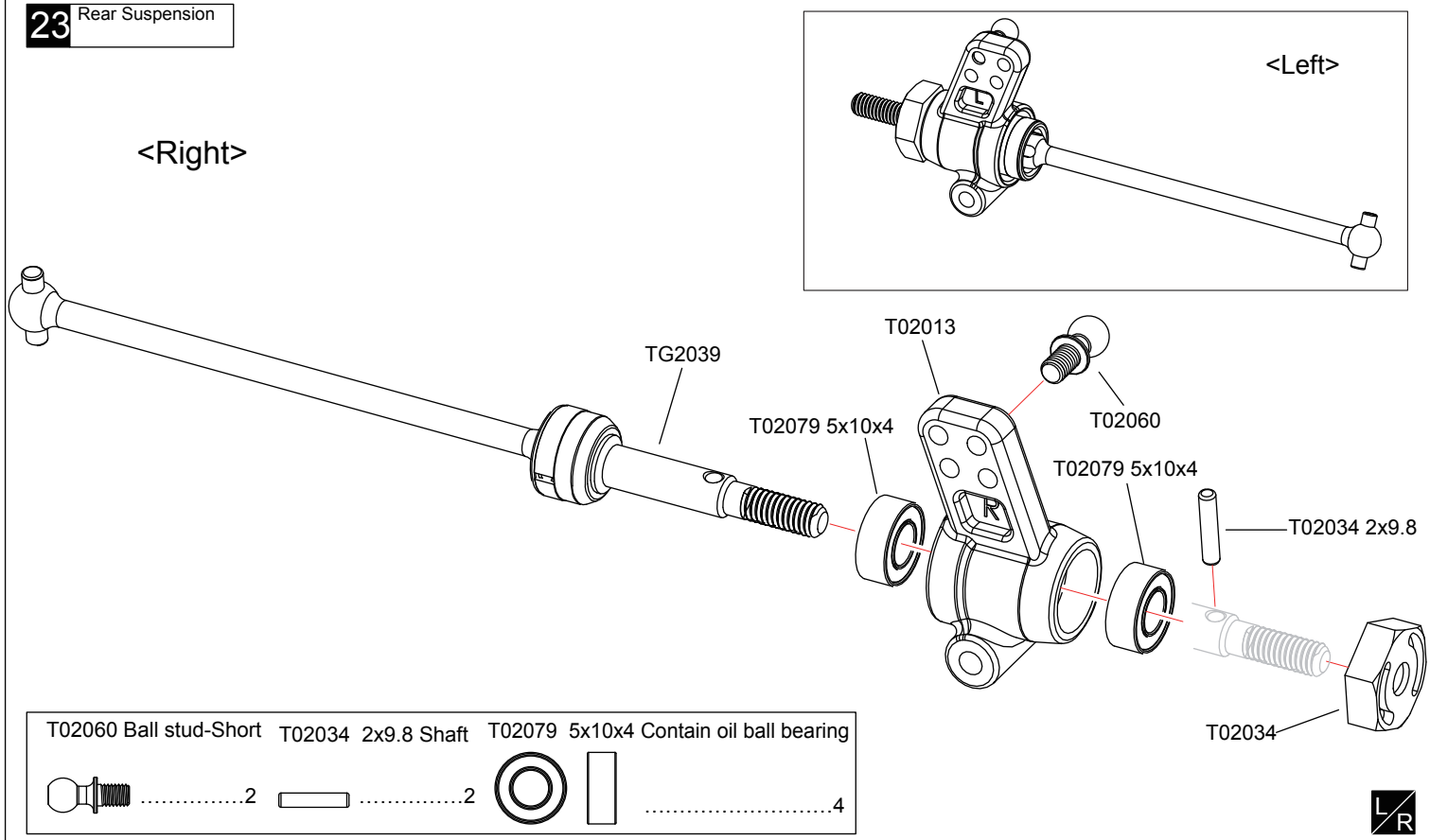


T02082 M3x10 Screw
.....
2
T02083 M3x8 Screw
.....
2

22 Rear Suspension

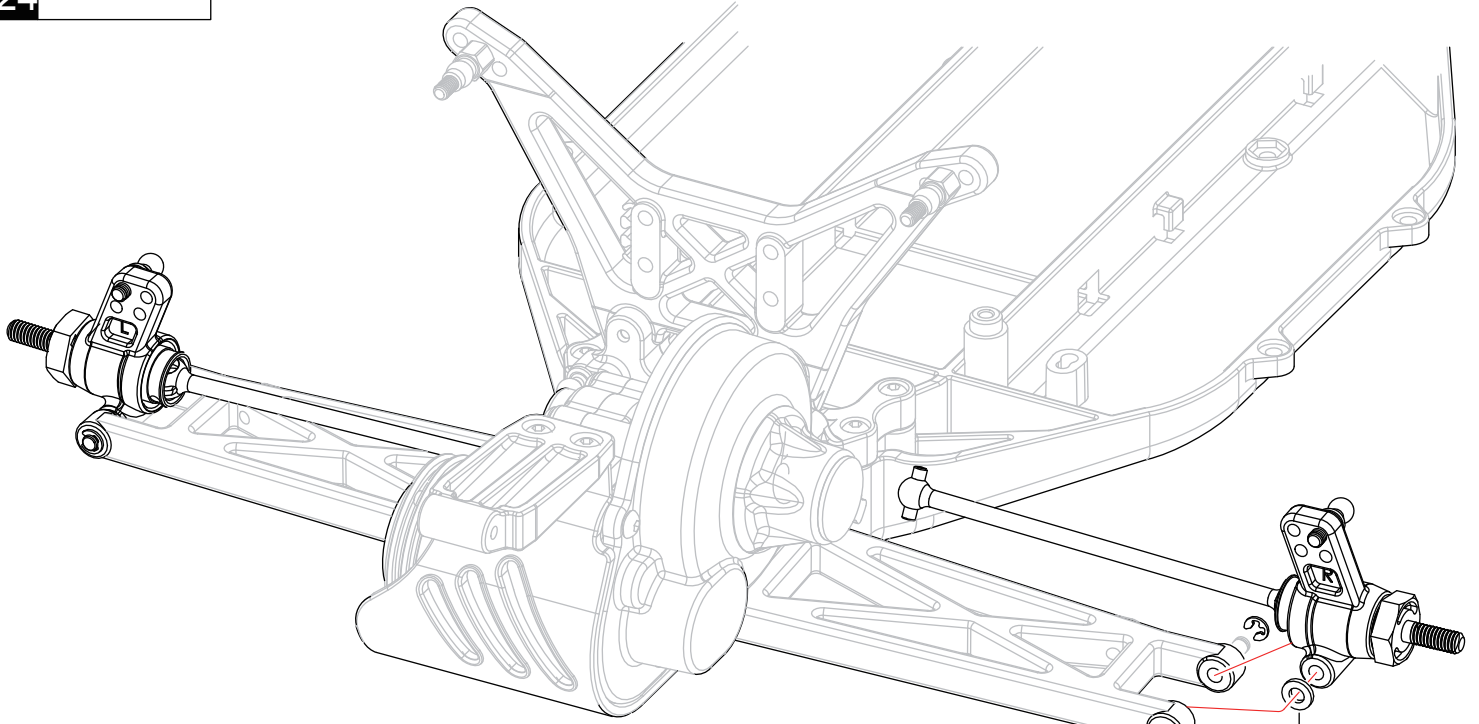



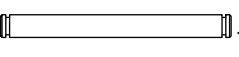

23 Rear Suspension



Assemble Both Left And Right

24 Rear Suspension

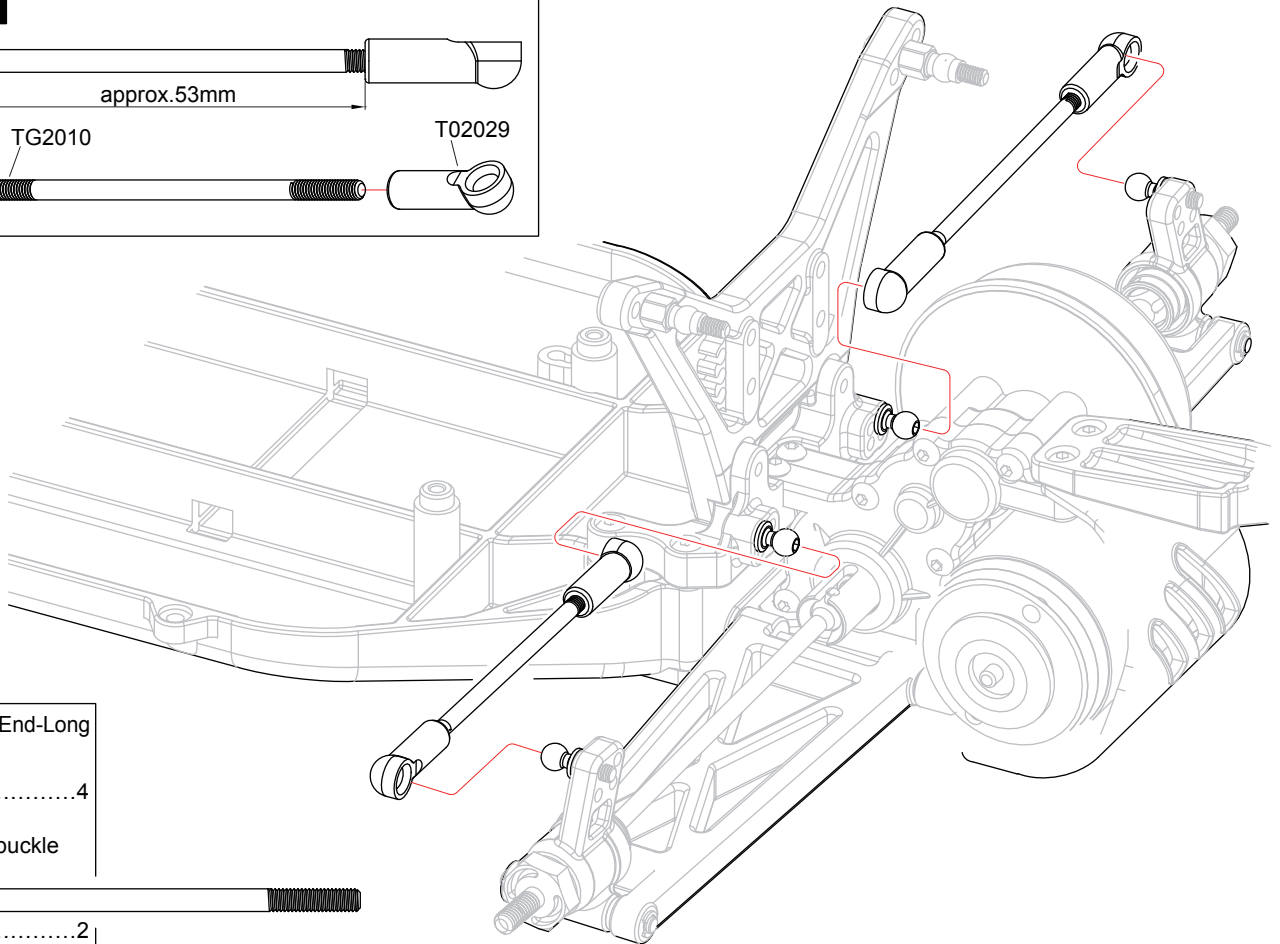
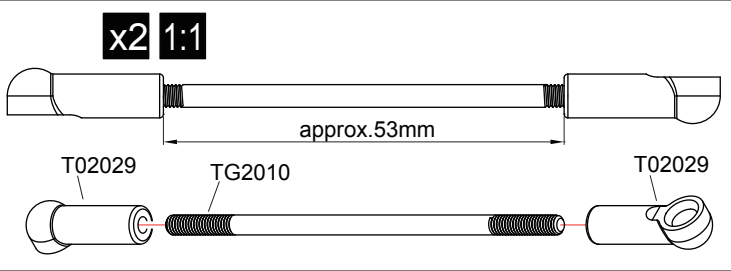


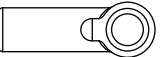
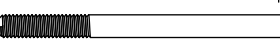
- | | | |
|---|--|--|
| T02013 3.1x6x1 Plastic Washer | T02057 3x30.5 Hinge pin Rear outer | T02057 2.3 E-ring |
| 4 | 2 | 4 |

- T02013
- T02057 3x30.5
- T02057 2.3



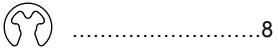
25 Rear Suspension



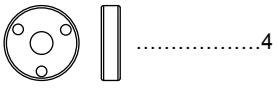
- | |
|---|
| T02029 4.8mm Ball End-Long |
| 4 |
| TG2010 3x72 Turnbuckle |
| 2 |

24 Shock Absorber

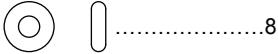
TG2013/TG2014 2.3 E-ring



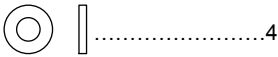
T02068 Shock Piston



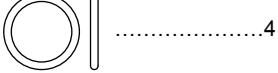
T02069 2.8x1.9 O-ring



T02069 3.1x1 Plastic Washer



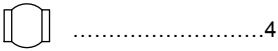
TG2015/TG2016 8x1 O-ring



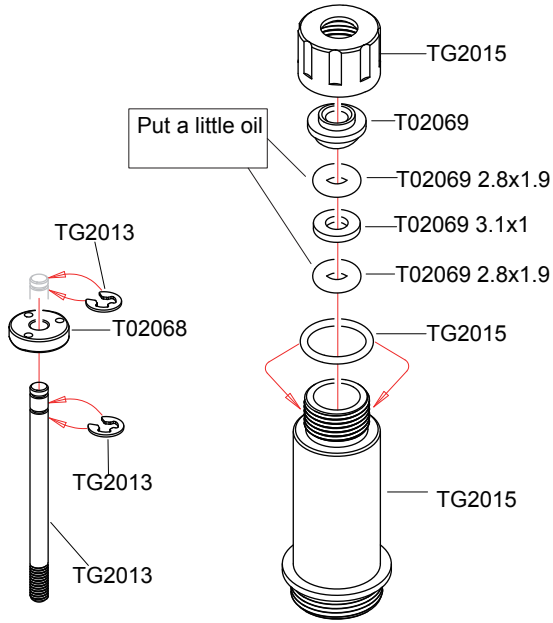
T02114 5.8 Ball End



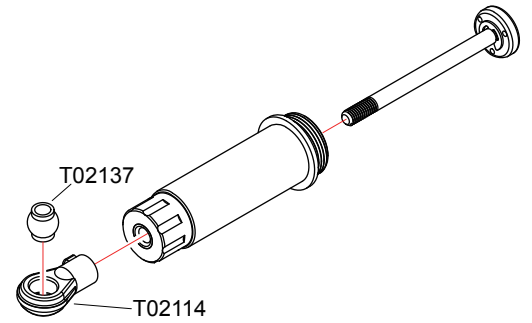
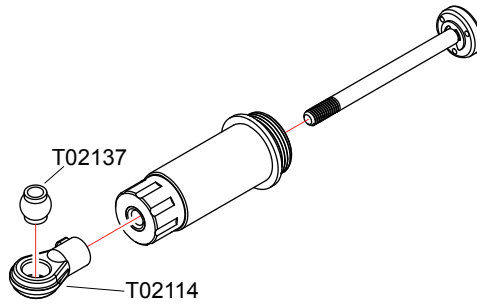
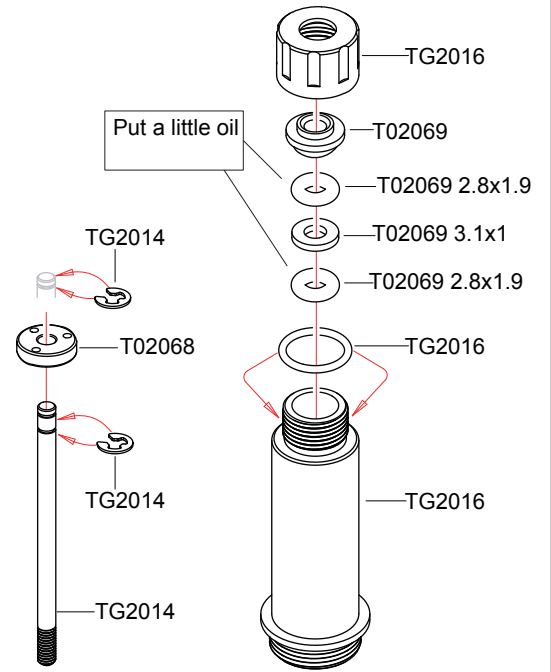
T02137 5.8x6 Ball stud



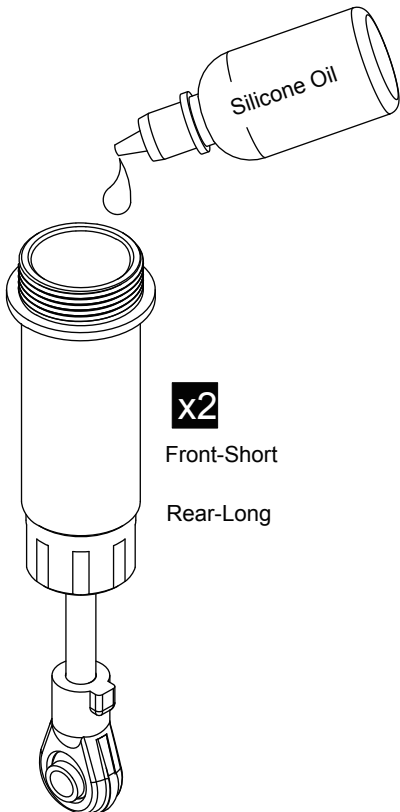
Front-Short **x2**



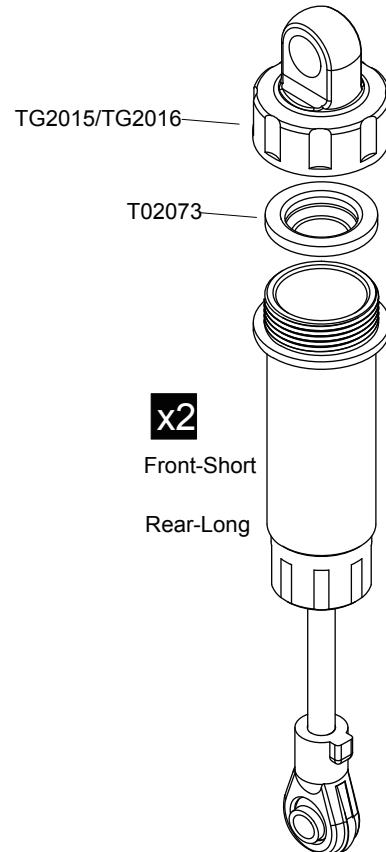
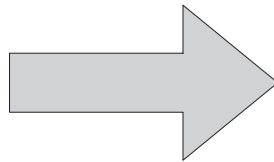
Rear-Long **x2**



25 Shock Absorber



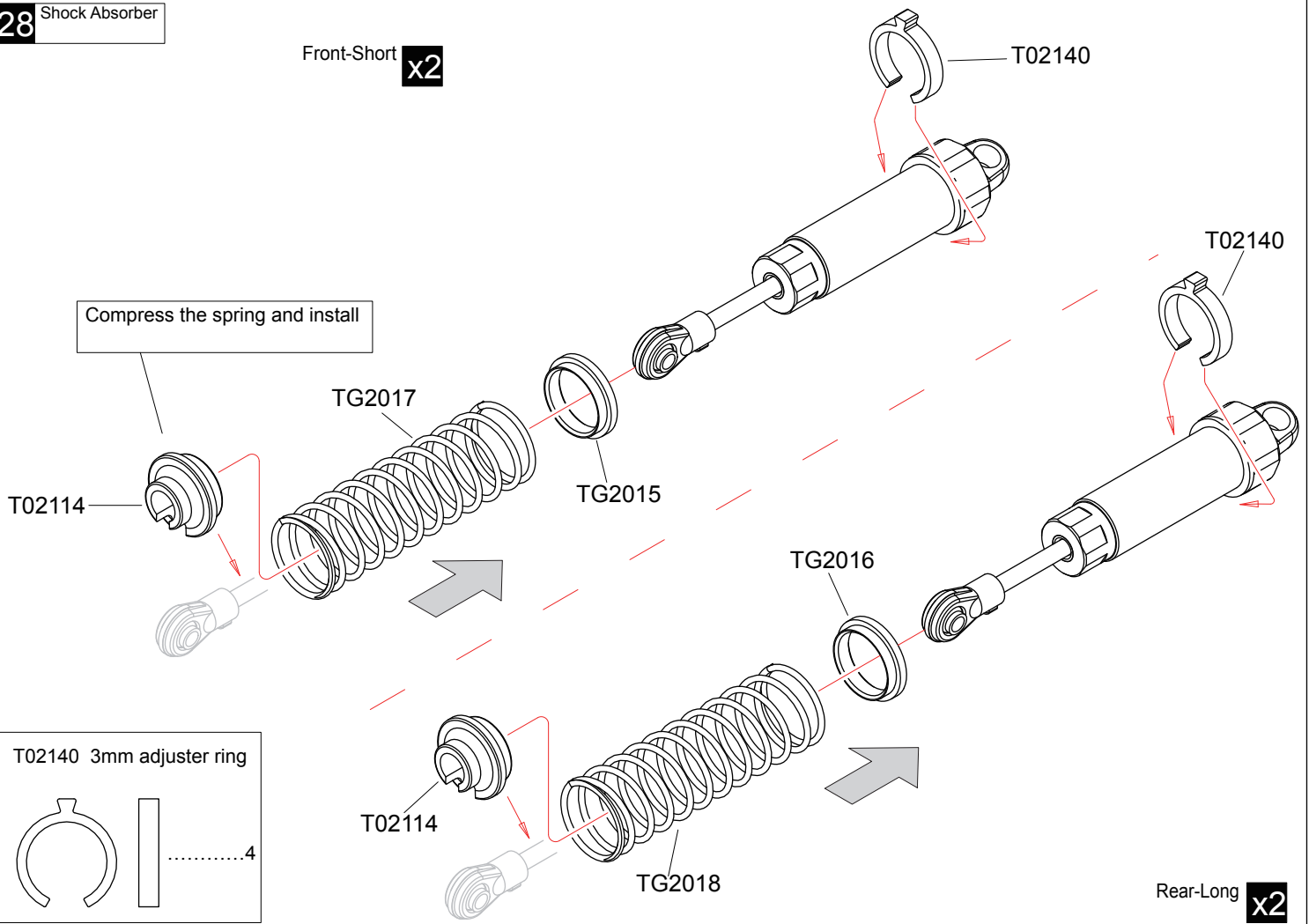
x2
Front-Short
Rear-Long



x2
Front-Short
Rear-Long

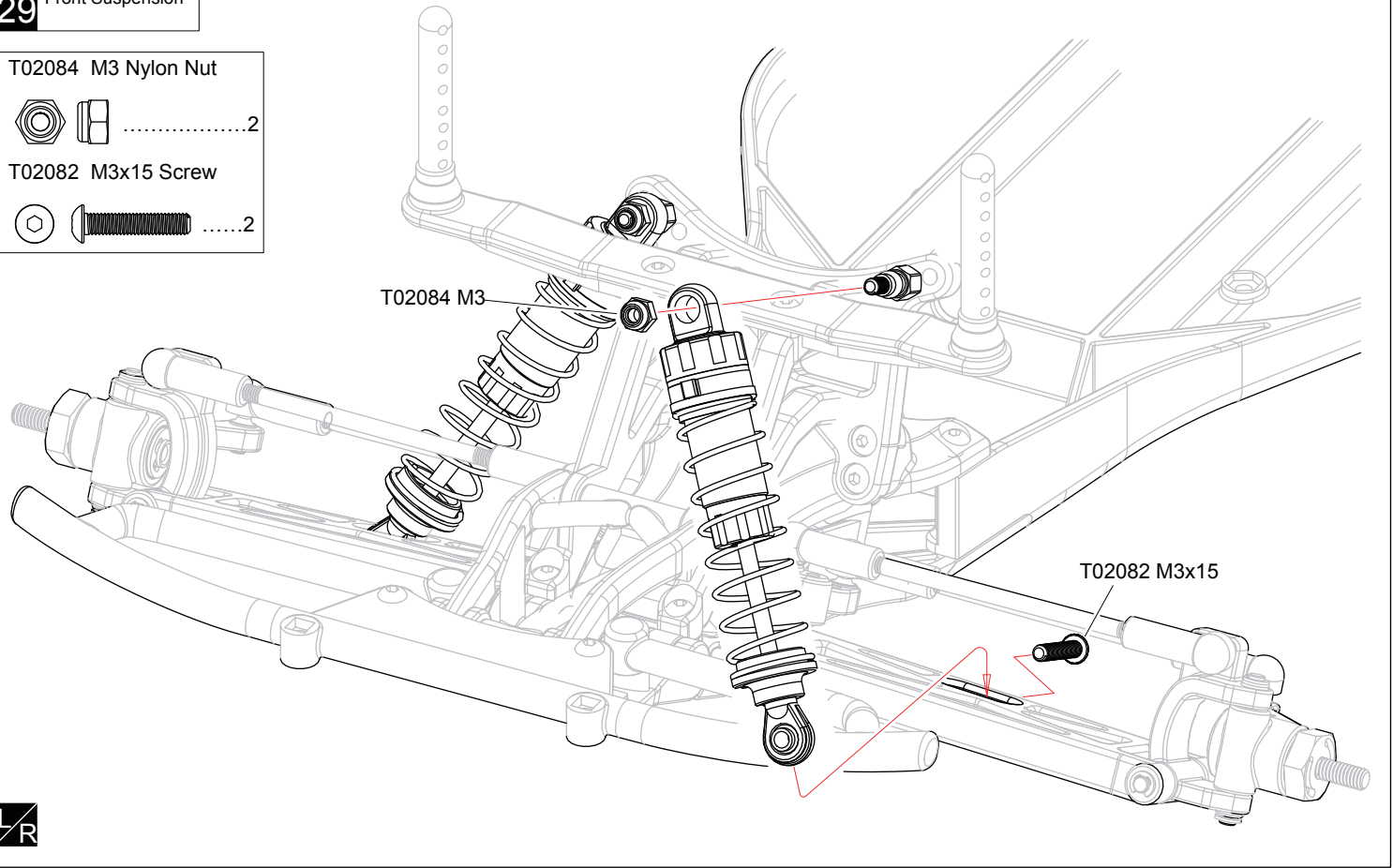
28 Shock Absorber

Front-Short **x2**



29 Front Suspension

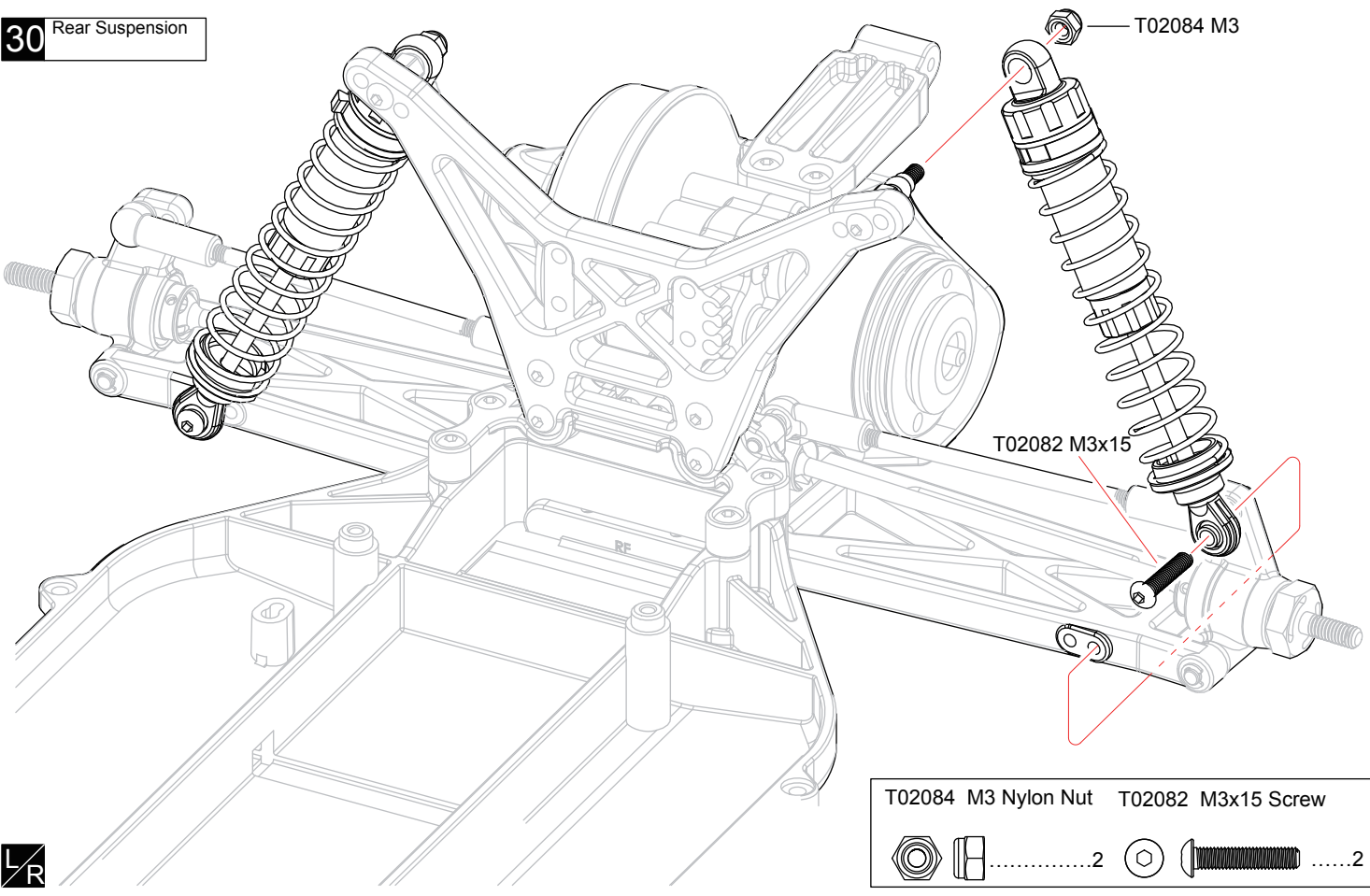
- T02084 M3 Nylon Nut
- T02082 M3x15 Screw





x2 Assemble as many times as specified

L/R Assemble Both Left And Right

30 Rear Suspension

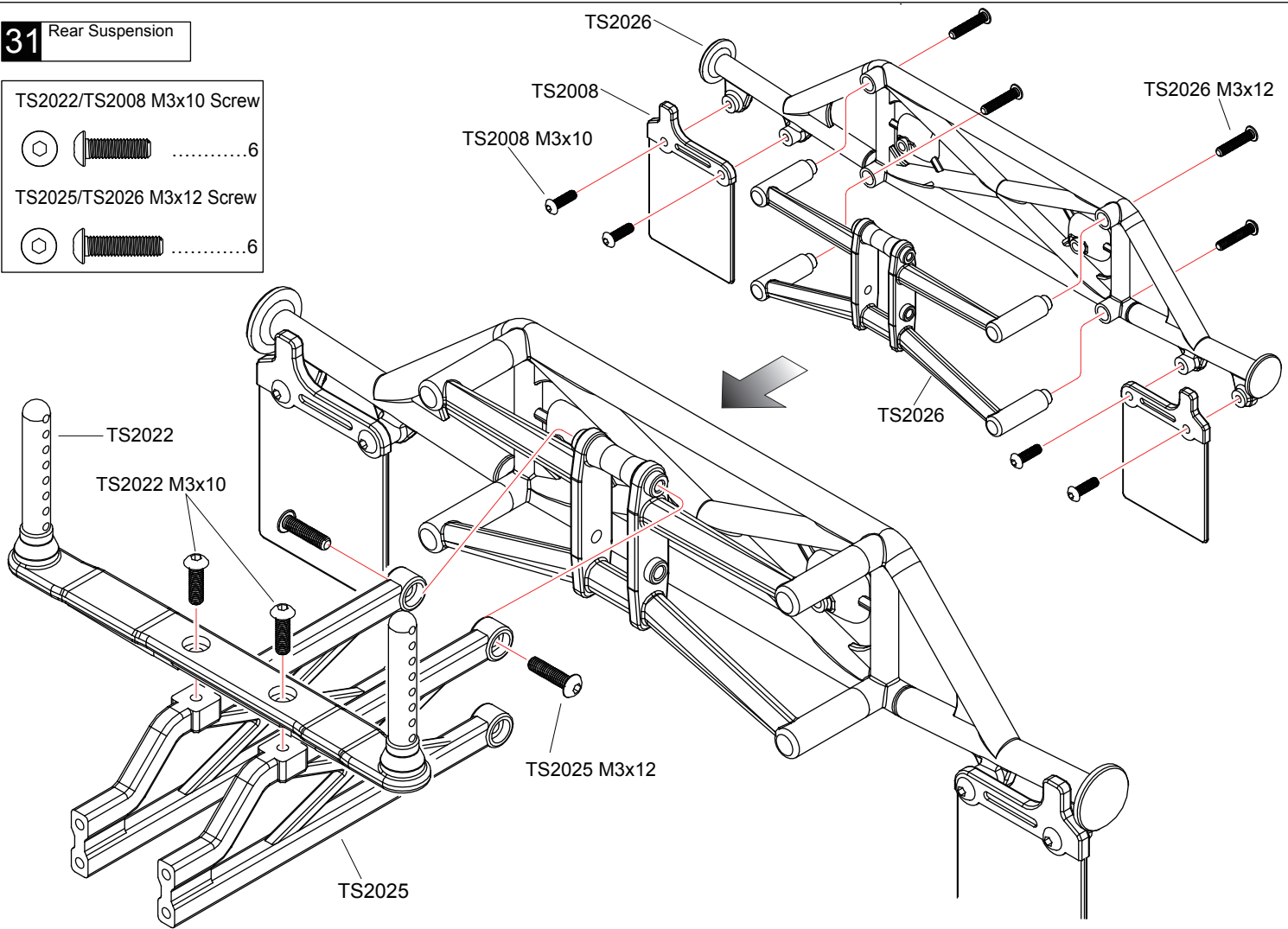



- T02084 M3 Nylon Nut T02082 M3x15 Screw
-  2
  2



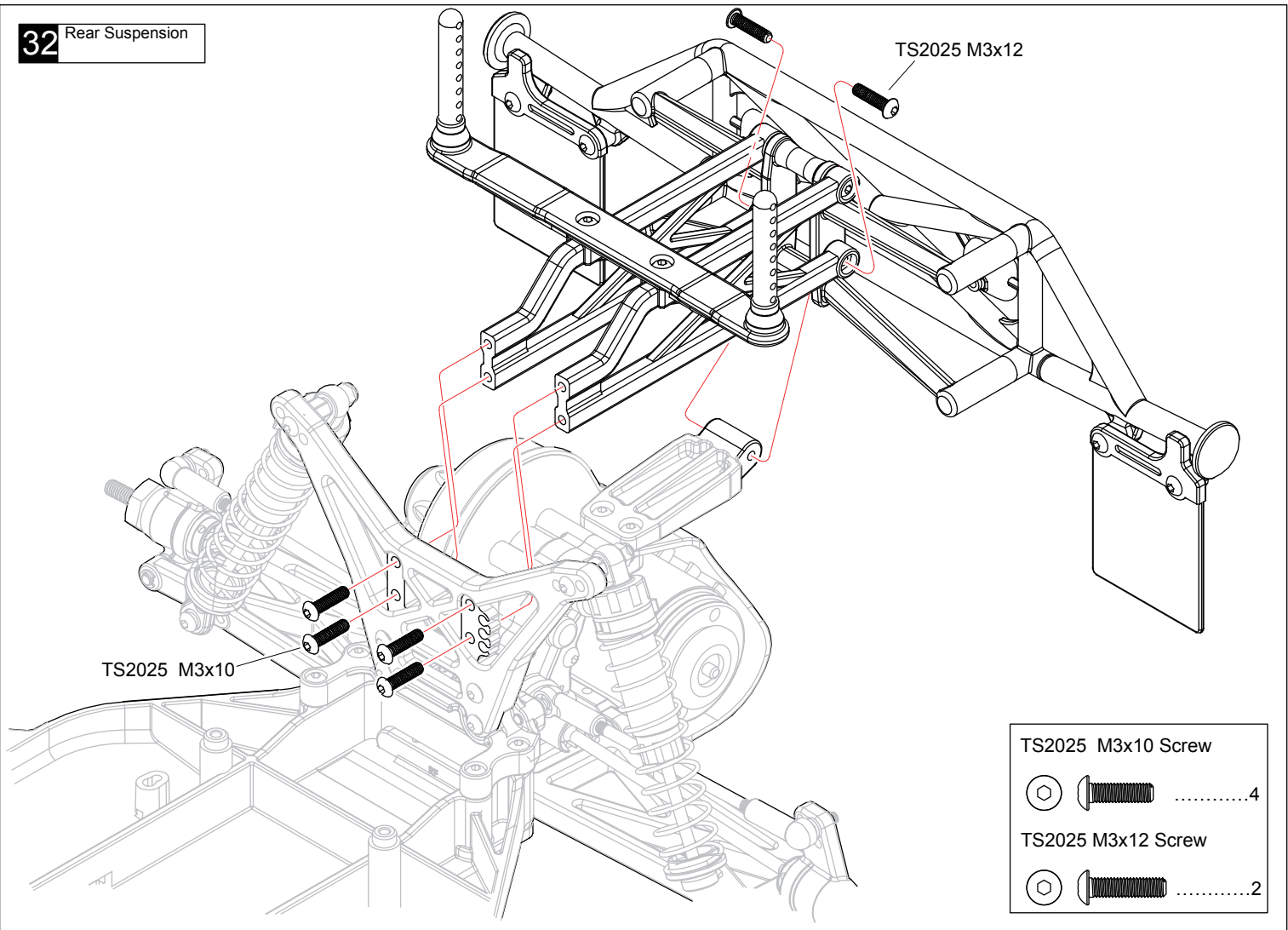
31 Rear Suspension

- TS2022/TS2008 M3x10 Screw 6
- TS2025/TS2026 M3x12 Screw 6



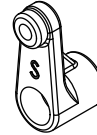
 Assemble Both Left And Right

32 Rear Suspension

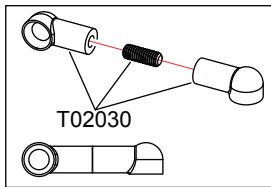
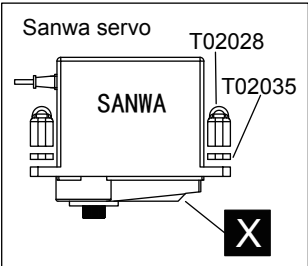


33 Steering Servo

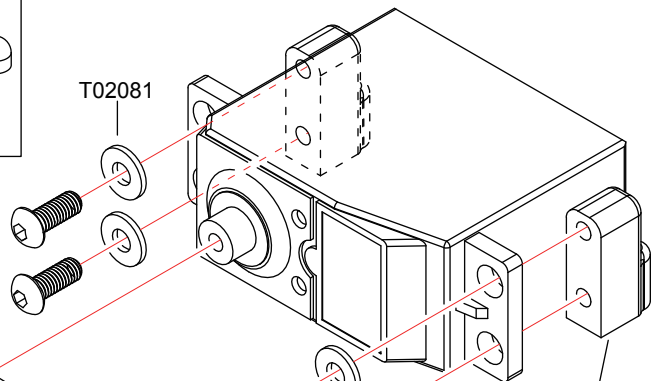
Select for your servo



Steering Servo-F(25T) Steering Servo-H(24T) Steering Servo-S(23T)



T02081



T02028

T02136

T02027
Steering Servo-F(25T)

T02082

T02082(2.6x8)

T02030 4.8 Ball End-Short

T02081 3x7x0.8 Washer

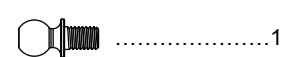
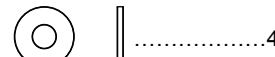
T02136 Ball stud - silvery

T02035 1.5 Servo spacer

T02030 M3x10 Screw

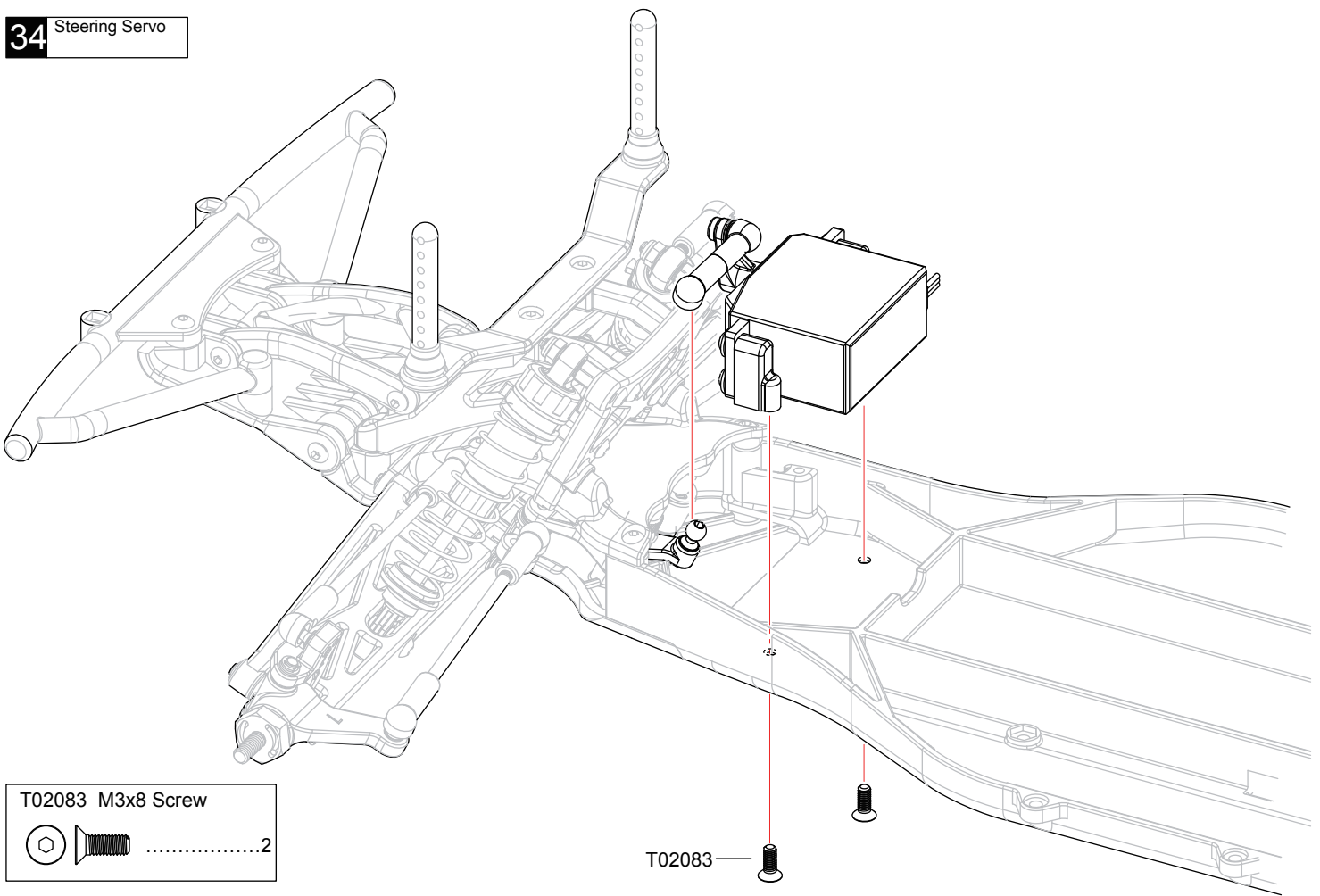
T02082 M3x8 Screw


T02082 M2.6x8 Screw




X Must be purchased separately


34 Steering Servo



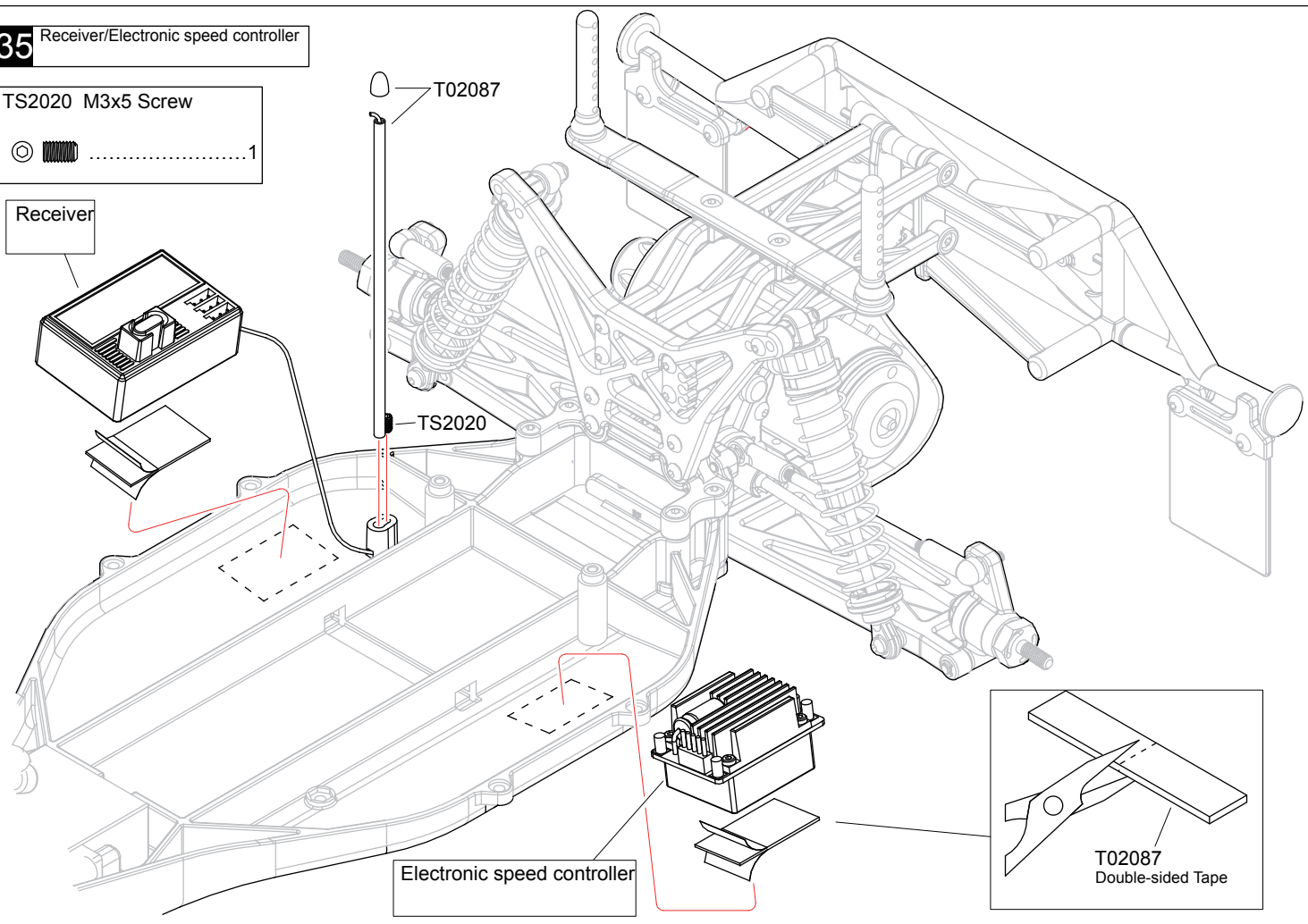
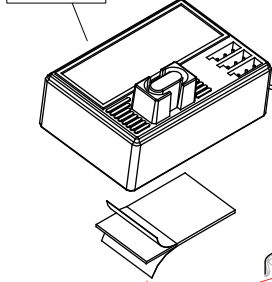
T02083 M3x8 Screw
2

T02083


35 Receiver/Electronic speed controller

TS2020 M3x5 Screw
1

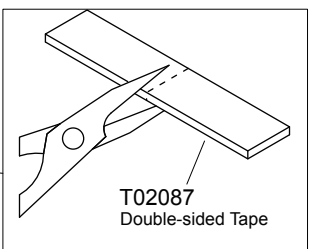
Receiver



TS2020

T02087

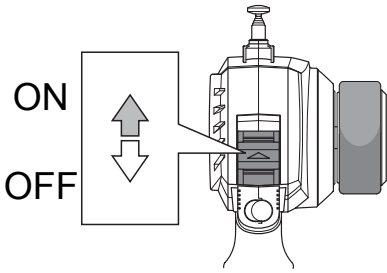
Electronic speed controller



T02087
Double-sided Tape

Transmitter Preparation

Power Switch



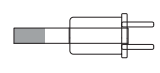
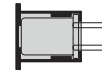
Antenna

Extend the antenna to the maximum Length for best performance

27MHz Transmitter Crystal (TX)

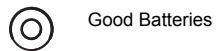
Transmitter crystal(TX)

Receiver crystal(RX)



The crystal can be replaced to change frequencies.
Note : You must also change receiver crystals!
Do not use AM crystals

Battery Level Indicator



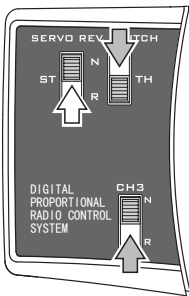
Good Batteries



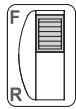
Low Batteries(Light Blinks)

Reverse Switch 反向开关

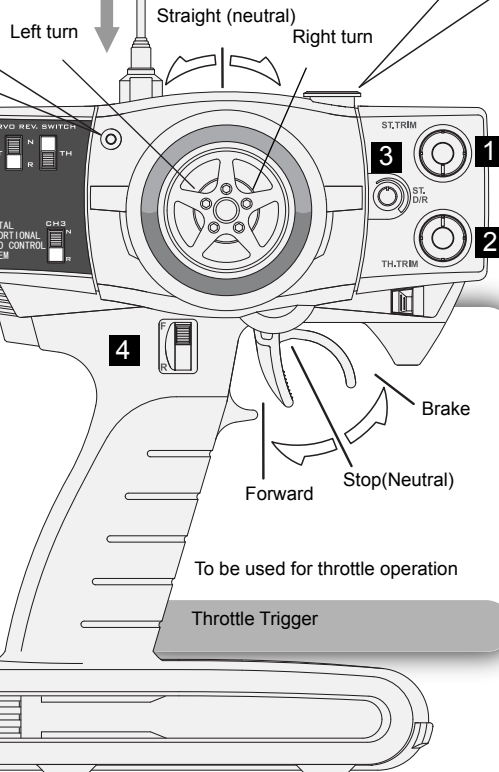
! Servo Factory Settings



4 3ch Switch



This switch is used for optional parts.



1 Steering Trim



To be used for trimming the steering operation

2 Throttle Trim



To be used for trimming the throttle operation

3 Steering Dual Rate

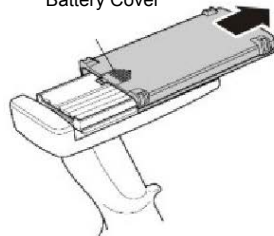


To be used to adjust steering servo throw

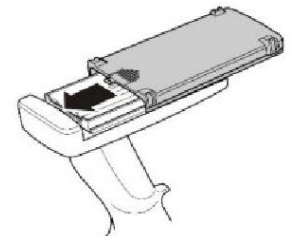
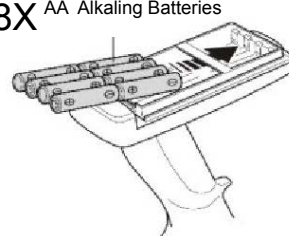
Transmitter Battery Installation

Open battery cover at the bottom of transmitter. Install batteries. Follow the direction of batteries designated in the inside of battery box.

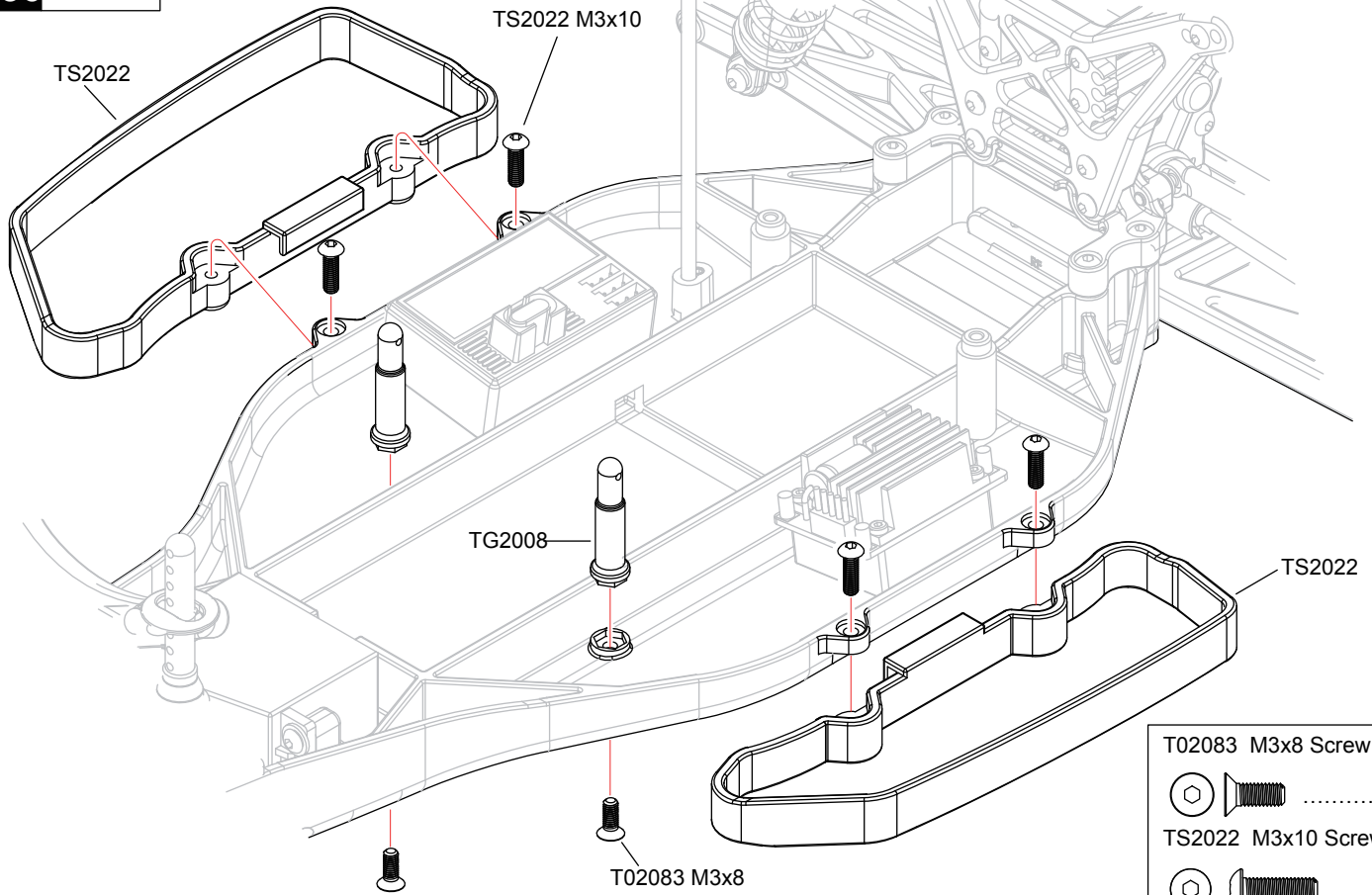
Battery Cover





8X AA Alkaling Batteries

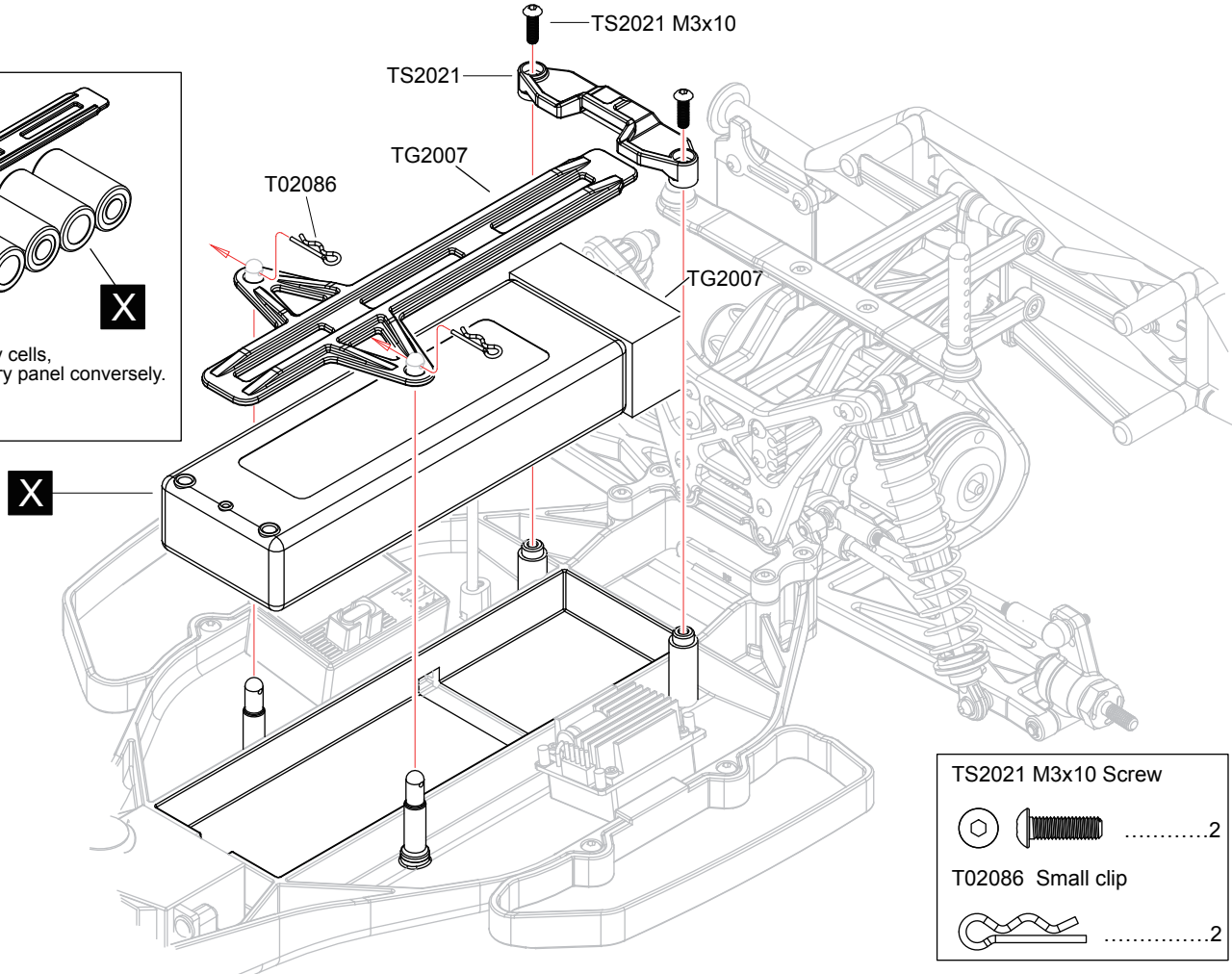
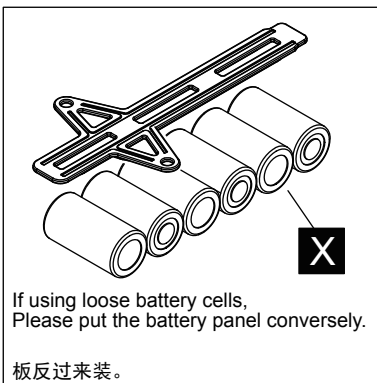




36 Body Mount



- T02083 M3x8 Screw 2
- TS2022 M3x10 Screw 4

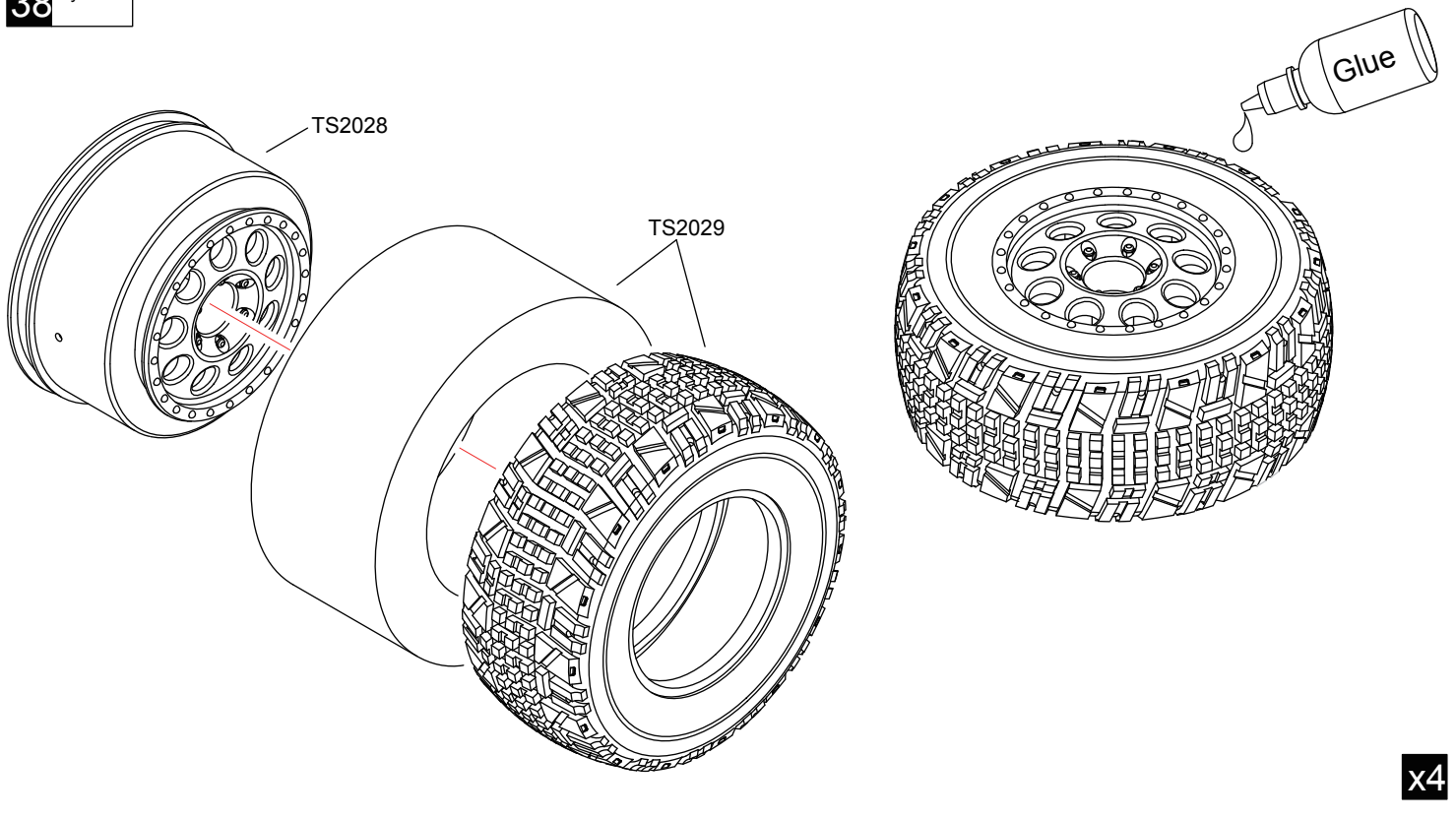
37 Battery



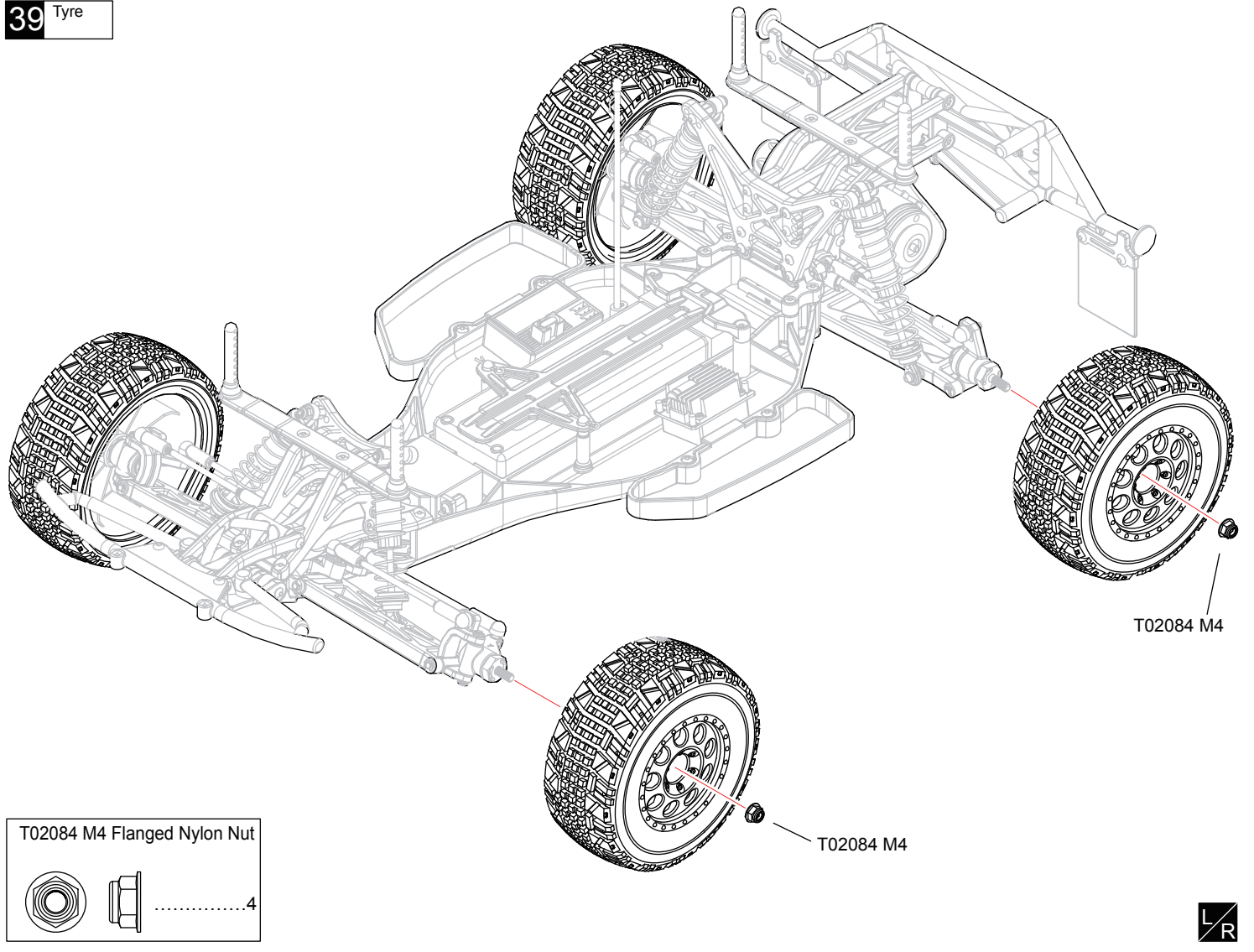
- TS2021 M3x10 Screw 2
- T02086 Small clip 2

X Must be purchased separately

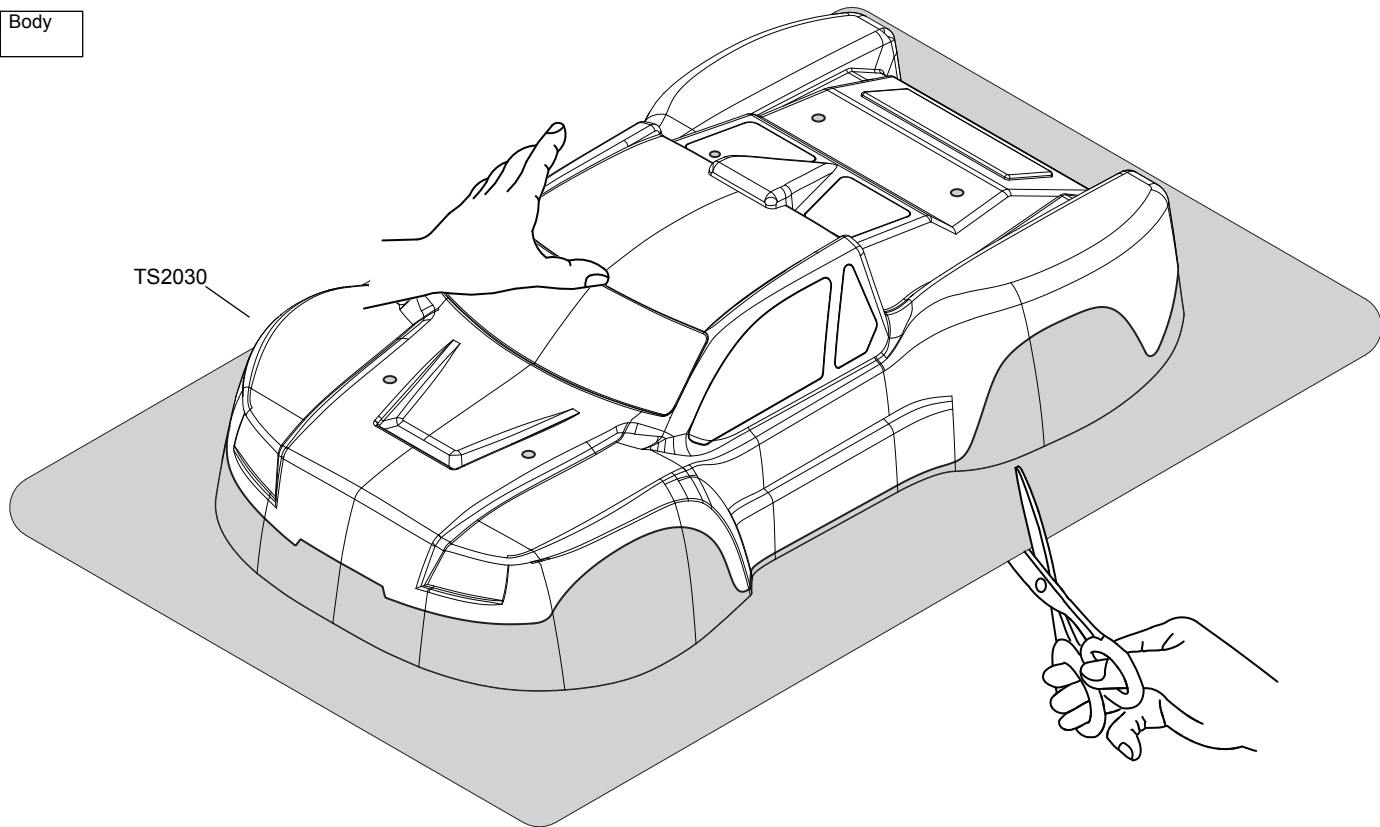
38 Tyre



39 Tyre



40 Body

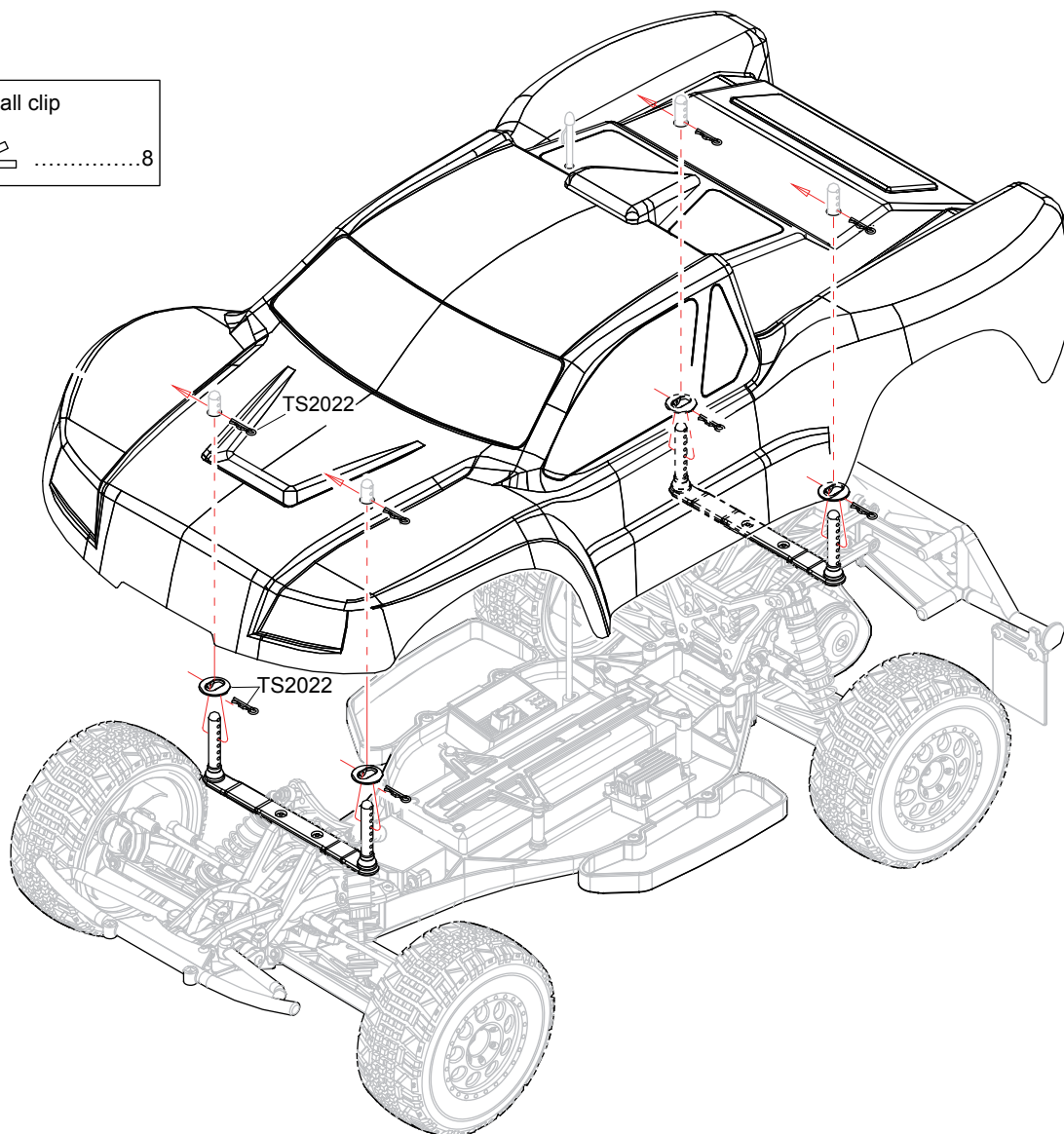


41 Body

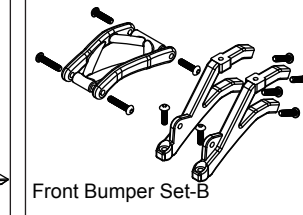
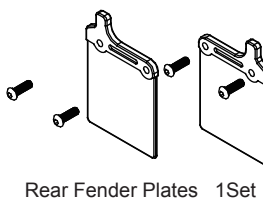
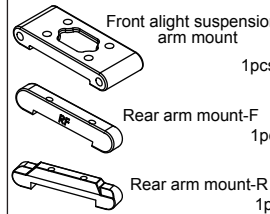
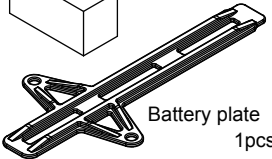
TS2022 Small clip



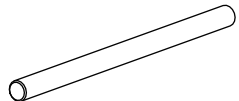
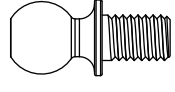
.....8



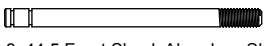

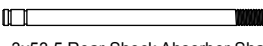

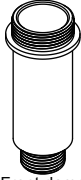
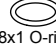



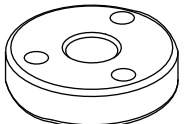
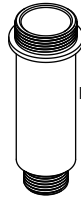
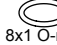










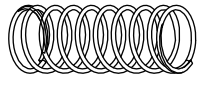
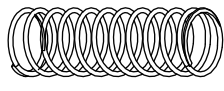
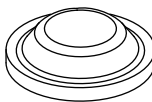

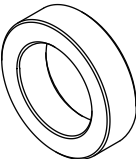
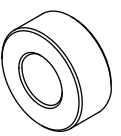

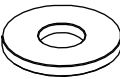



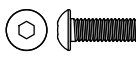
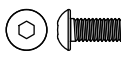

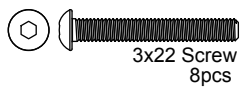
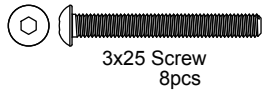
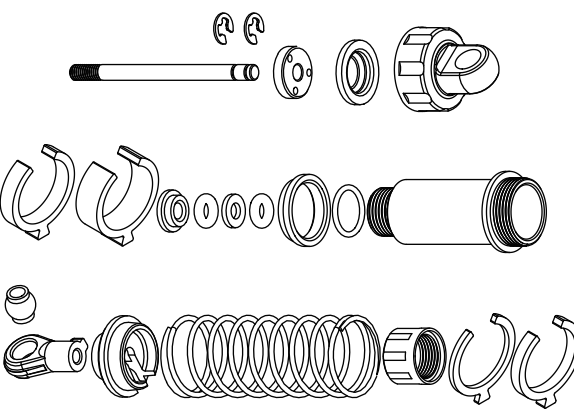
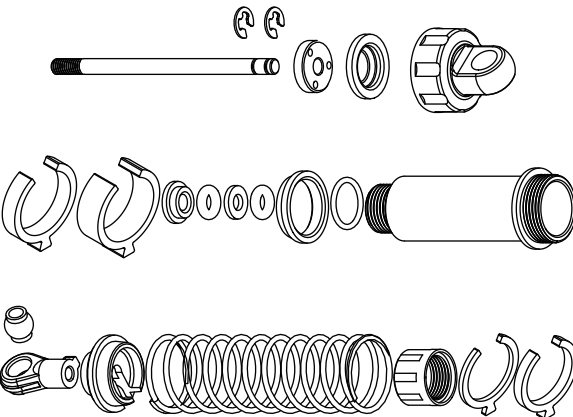
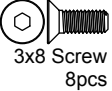
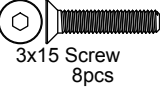
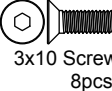
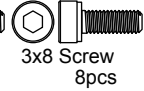


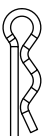

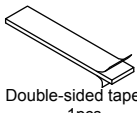

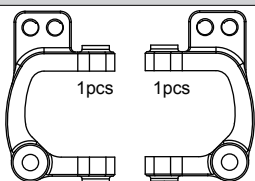
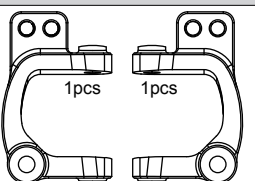
Parts list for Mentor -1

<p>TS2020</p> <p>M3x5 1pcs</p>  <p>Main Chassis plate 1pcs</p>	<p>TS2021</p>  <p>Battery Mount 1 Set</p>	<p>TS2022</p>  <p>Body Mount Set</p>	<p>TS2023</p>  <p>Front Bumper Set-A</p>	<p>TS2024</p>  <p>Front Bumper Set-B</p>
<p>TS2025</p>  <p>Rear Bumper Set-A</p>	<p>TS2026</p>  <p>Rear Bumper Set-B</p>	<p>TS2028</p>  <p>Rim 2pcs</p>	<p>TS2029</p>  <p>Tyre 2pcs</p> <p>Tyre Sponge 2pcs</p>	<p>TS2030</p>  <p>Body 1pcs</p>
<p>TS2031</p>  <p>28T Spur Gear-Alumium 1pcs</p>	<p>TS2008</p>  <p>Rear Fender Plates 1Set</p>	<p>TG2001</p>  <p>86T Spur Gear 1pcs</p>	<p>T02004</p>  <p>52T Gear 1pcs</p>	<p>T02005</p> <p>Gear Cover Button 1pcs</p>  <p>Gear Cover 1pcs</p>
<p>T02006</p>  <p>Differential-L 1pcs</p> <p>Differential-R 1pcs</p>	<p>T02007</p> <p>M2.5x25 Screw 1pcs</p> <p>M2.5 Nylon Nut 1pcs</p> <p>Differential Nut Mount 1pcs</p> 	<p>T02008</p>  <p>Front chassis plate 1pcs</p>	<p>T02009</p>  <p>Rear chassis plate 1pcs</p>	<p>T02011</p>  <p>C-type holder L 1pcs</p> <p>C-type holder R 1pcs</p>
<p>T02012</p>  <p>Steering block-L 1pcs</p> <p>Steering block-R 1pcs</p>	<p>T02013</p> <p>3.1x6x1 Plastic Washer 4pcs</p>  <p>Rear hub carriers-L 1pcs</p> <p>Rear hub carriers-R 1pcs</p>	<p>T02014</p>  <p>Front aight suspension arm mount 1pcs</p> <p>Rear arm mount-F 1pcs</p> <p>Rear arm mount-R 1pcs</p>	<p>T02015</p>  <p>Front upper suspension arm mount 1pcs</p>	<p>TG2003</p>  <p>Front lower arms 2pcs</p>
<p>TG2004</p>  <p>Rear lower arms 2pcs</p>	<p>T02018</p>  <p>Rear brace mount 1pcs</p>	<p>T02019</p>  <p>Front brace mount 1pcs</p>	<p>TG2005</p>  <p>Front shock tower 1pcs</p>	<p>TG2006</p>  <p>Rear shock tower 1pcs</p>
<p>TG2007</p> <p>Sponge 1pcs</p>  <p>Battery plate 1pcs</p>	<p>T02023</p> <p>Servo saver upper 1pcs</p> <p>Servo saver lower 1pcs</p> <p>Servo saver - L 1pcs</p> 	<p>T02024</p>  <p>Steering Rack 1pcs</p>	<p>TG2008</p> <p>Battery column 2pcs</p> <p>Front body mount 2pcs</p> <p>Wing bracket 2pcs</p> <p>Wing angle shim 2pcs</p> 	<p>T02026</p>  <p>Front bumper 1pcs</p> <p>Motor guard 1pcs</p>

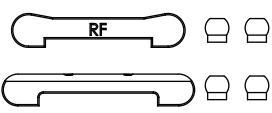
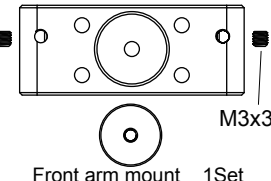
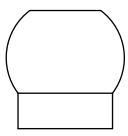
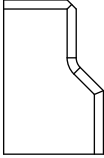
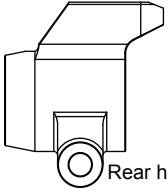

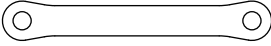
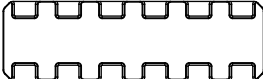
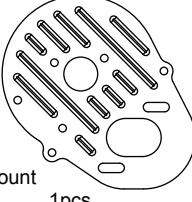
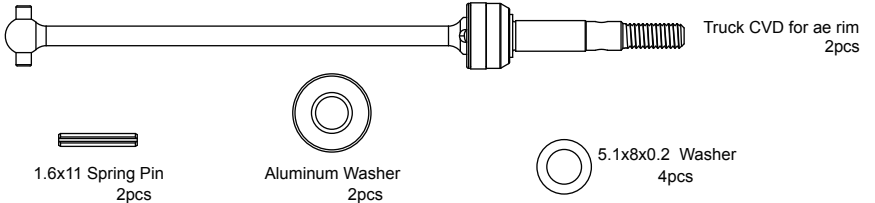
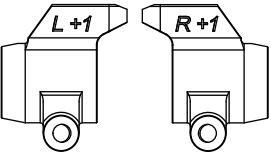
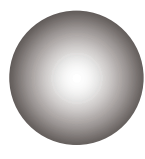
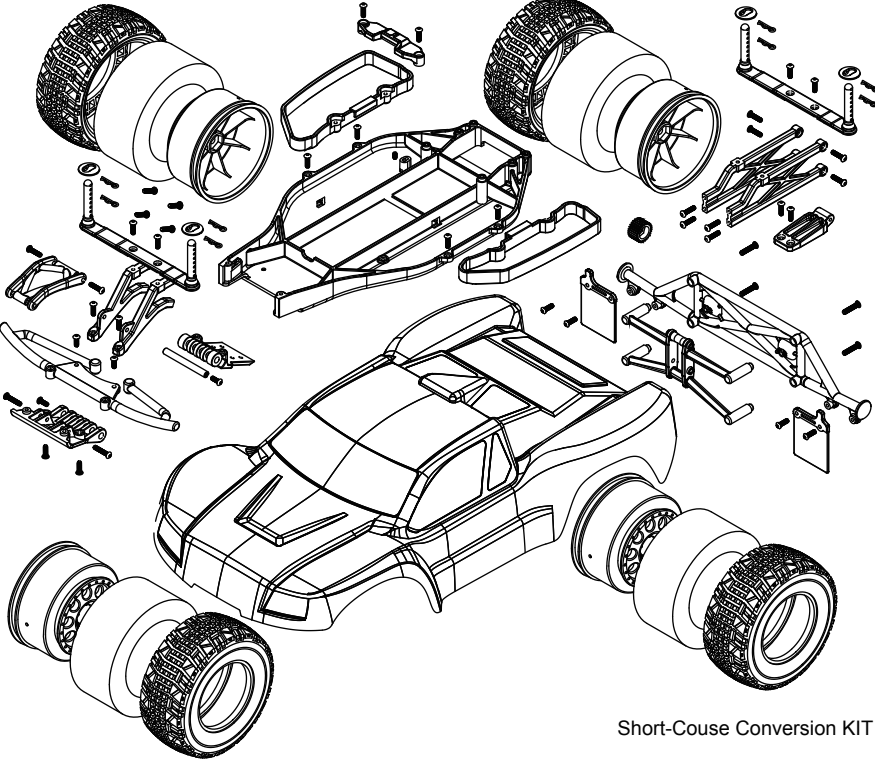
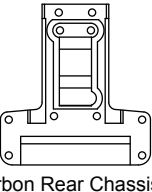
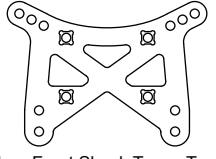
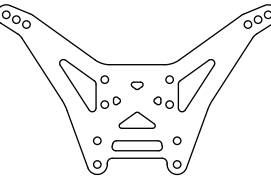
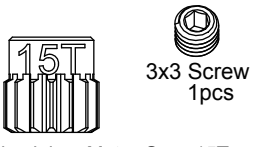
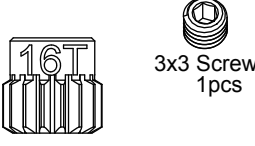
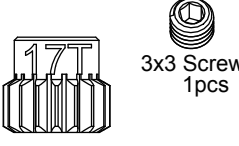
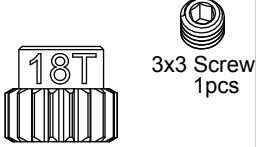
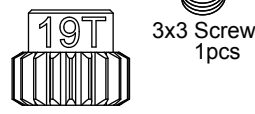
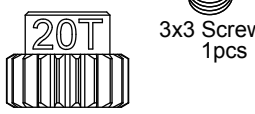
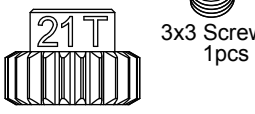
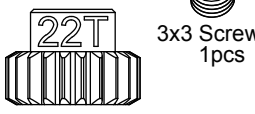
Parts list for Mentor -2

<p>T02027</p>  <p>Steering servo horn-F 1pcs</p> <p>Steering servo horn-H 1pcs</p> <p>Steering servo horn-S 1pcs</p>	<p>T02028</p>  <p>Servo plate 2pcs</p>	<p>T02029</p>  <p>4.8 Ball End - Long 6pcs</p>	<p>T02030</p>  <p>4.8 Ball End-Short 2pcs</p> <p>3x10 Screw 螺丝 1pcs</p>	<p>T02114</p>  <p>Below Spring mount end 2pcs</p> <p>5.8 Ball End 2pcs</p>
<p>T02034</p>  <p>Hexagonal 4pcs</p> <p>2x9.8 Pin 4pcs</p>	<p>T02035</p>  <p>1.0 Servo spacer 2pcs</p> <p>1.5 Servo spacer 2pcs</p>	<p>T02036</p>  <p>Motor plate 1pcs</p>	<p>T02037</p>  <p>Front hinge pin barce 1pcs</p>	<p>T02038</p>  <p>Slipper pad 2pcs</p>
<p>T02134</p>  <p>Slipper hub 2pcs</p>	<p>T02040</p>  <p>Slipper Spring 1pcs</p>	<p>T02041</p>  <p>5x8x6.7 Top shaft spacer 1pcs</p>	<p>T02042</p>  <p>4.0 E-ring 2pcs</p> <p>2x9.8 Pin 2pcs</p> <p>Front wheel axle 2pcs</p>	<p>TG2010</p>  <p>3x68 turnbuckle 4pcs</p> <p>3x72 turnbuckle 2pcs</p>
<p>T02043</p>  <p>Buffer column-A 1pcs</p> <p>Buffer Nut 1pcs</p> <p>4.0 E-ring 1pcs</p> <p>Buffer Spring 1pcs</p> <p>Buffer column-B 1pcs</p>	<p>T02044</p>  <p>3x10 Screw 2pcs</p> <p>Block Carrier 2pcs</p> <p>3x7x0.8 Washer 2pcs</p>	<p>T02046</p>  <p>Short 1pcs</p> <p>Long 1pcs</p> <p>Differential connecting hub 1pcs</p>	<p>T02047</p>  <p>Differential Spring 1pcs</p>	
<p>T02048</p>  <p>2.37mm Ball 12pcs</p>	<p>T02049</p>  <p>17x23x1 Washer 2pcs</p>	<p>T02050</p>  <p>2.6x6x3 Stop push ball bearing 1pcs</p>	<p>T02051</p>  <p>idler gear shaft 1pcs</p>	<p>T02052</p>  <p>Gear 20T 1pcs</p>
<p>T02054</p>  <p>2.3 E-ring E扣 4pcs</p> <p>3x27.5 Hinge pin front outer 2pcs</p>	<p>T02055</p>  <p>3x48 Hinge pin Rear inner 2pcs</p>	<p>T02056</p>  <p>2.3 E-ring E扣 4pcs</p> <p>3x34.5 Hinge pin front inner 2pcs</p>	<p>T02057</p>  <p>2.3 E-ring E扣 4pcs</p> <p>3x30.5 Hinge pin Rear outer 2pcs</p>	<p>TG2039</p>  <p>Rear CVD 2pcs</p>
<p>T02059</p>  <p>Ball stud-Long 2pcs</p>	<p>T02060</p>  <p>Ball stud-Short 5pcs</p>	<p>T02136</p>  <p>Ball stud-Silver 2pcs</p>	<p>T02137</p>  <p>5.8x6 Ball stud 4pcs</p>	<p>T02117</p>  <p>5mm Plastic Ball stud 4pcs</p>

Parts list for Mentor -3

<p>TG2040</p>  <p>3x44.5 Front Shock Absorber Shaft 2pcs</p>  <p>2.3 E-ring 4pcs</p>	<p>TG2041</p>  <p>3x53.5 Rear Shock Absorber Shaft 2pcs</p>  <p>2.3 E-ring 4pcs</p>	<p>TG2015</p>  <p>Front damper case 2pcs</p>  <p>8x1 O-ring 2pcs</p>  <p>Shock Absorber upper cover-Plastic 2pcs</p>  <p>top Spring mount end 2pcs</p>  <p>Shock Absorber below cover-Plastic 2pcs</p>	<p>T02068</p>  <p>Shock piston 4pcs</p>	
<p>TG2016</p>  <p>Rear damper case 2pcs</p>  <p>8x1 O-ring 2pcs</p>  <p>Shock Absorber upper cover-Plastic 2pcs</p>  <p>top Spring mount end 2pcs</p>  <p>Shock Absorber below cover-Plastic 2pcs</p>	<p>T02069</p>  <p>3.1x1mm Plastic Washer 4pcs</p>  <p>2.8x1.9 O-ring 8pcs</p>  <p>3.5 Press washer 4pcs</p>	<p>T02140</p>  <p>1mm adjuster ring 4pcs</p>  <p>2mm adjuster ring 4pcs</p>  <p>3mm adjuster ring 4pcs</p>  <p>5mm adjuster ring 4pcs</p>	<p>TG2017</p>  <p>Front Shock Absorber Spring 2pcs</p>	
<p>TG2018</p>  <p>Rear Shock Absorber Spring 2pcs</p>	<p>T02073</p>  <p>Diaphragm 4pcs</p>	<p>T02077</p>  <p>5x8x2.5 Contain oil ball bearing 6pcs</p>	<p>T02078</p>  <p>10x15x4 Contain oil ball bearing 6pcs</p>	<p>T02079</p>  <p>5x10x4 Contain oil ball bearing 6pcs</p>
<p>T02080</p>  <p>3x6x2.5 Ball Bearing 4pcs</p>	<p>T02081</p>  <p>3x7x0.8 Washer 10pcs</p>	<p>T02082</p>  <p>2.6x8 Screw 8pcs</p>  <p>3x5 Screw 8pcs</p>  <p>3x8 Screw 8pcs</p>  <p>3x10 Screw 8pcs</p>  <p>3x12 Screw 8pcs</p>  <p>3x15 Screw 8pcs</p>  <p>3x22 Screw 8pcs</p>  <p>3x25 Screw 8pcs</p>		
<p>TG2022</p>  <p>Front Shock Absorber 2 Set</p>	<p>TG2023</p>  <p>Rear Shock Absorber 2 Set</p>	<p>T02083</p>  <p>3x8 Screw 8pcs</p>  <p>3x15 Screw 8pcs</p>  <p>3x10 Screw 8pcs</p>  <p>3x8 Screw 8pcs</p>		
<p>T02085</p>  <p>2.3 E-ring 8pcs</p>  <p>4.0 E-ring 8pcs</p>	<p>T02086</p>  <p>Small clip 8pcs</p>	<p>T02087</p>  <p>Antenna pipe set cover 1pcs</p>  <p>Double-sided tape 1pcs</p>  <p>Antenna pipe set 1pcs</p>	<p>Tu0219 OP</p>  <p>C-Type-Holder 25 Degree-Left/Right 1pcs 1pcs</p>	<p>Tu0220 OP</p>  <p>C-Type-Holder 30 Degree-Left/Right 1pcs 1pcs</p>

Parts list for Mentor -4

<p>Tu0221 OP</p>  <p>Rear arm mount F/R 1Set</p>	<p>Tu0222 OP</p>  <p>Front arm mount 1Set</p>	<p>Tu0223 OP</p>  <p>Rear arm mount -Ball 8pcs</p>	<p>Tu0224 OP</p>  <p>Servo mount 2pcs</p>	<p>Tu0236 OP</p>  <p>Rear hub carriers 2pcs</p>
<p>Tu0225 OP</p>  <p>M2x5 Screw 4pcs 5.1x8x0.2 Washer 4pcs Hex mount 4pcs</p>	<p>Tu0226 OP</p>  <p>Front hinge pin brace 1pcs</p>	<p>Tu0228 OP</p>  <p>Brass battery tray 1pcs</p>	<p>Tu0229 OP</p>  <p>Motor mount 1pcs</p>	
<p>Tu0234 OP</p>  <p>1.6x11 Spring Pin 2pcs Aluminum Washer 2pcs 5.1x8x0.2 Washer 4pcs Truck CVD for ae rim 2pcs</p>	<p>Tu0237 OP</p>  <p>Rear Hub 1 Degree-L 1pcs Rear Hub 1 Degree-R 1pcs</p>	<p>Tu0238 OP</p>  <p>Ceramic Ball 2.37mm 12pcs</p>		
<p>Tu0282 OP</p>  <p>Short-Course Conversion KIT</p>	<p>Tu0239 OP</p>  <p>Carbon Rear Chassis 1pcs</p>	<p>Tu0243 OP</p>  <p>Carbon Front Shock Tower-Truck 1pcs</p>		
<p>Tu0244 OP</p>  <p>Carbon Rear Shock Tower-Truck 1pcs</p>	<p>H475 OP</p>  <p>Aluminium Motor Gear-15T 1pcs 3x3 Screw 1pcs</p>			
<p>H476 OP</p>  <p>Aluminium Motor Gear-16T 1pcs 3x3 Screw 1pcs</p>	<p>H477 OP</p>  <p>Aluminium Motor Gear-17T 1pcs 3x3 Screw 1pcs</p>			
<p>H478 OP</p>  <p>Aluminium Motor Gear-18T 1pcs 3x3 Screw 1pcs</p>	<p>H479 OP</p>  <p>Aluminium Motor Gear-19T 1pcs 3x3 Screw 1pcs</p>	<p>H480 OP</p>  <p>Aluminium Motor Gear-20T 1pcs 3x3 Screw 1pcs</p>	<p>H481 OP</p>  <p>Aluminium Motor Gear-21T 1pcs 3x3 Screw 1pcs</p>	<p>H482 OP</p>  <p>Aluminium Motor Gear-22T 1pcs 3x3 Screw 1pcs</p>

TR2 *TeamC*

SETUP SHEET for the TeamC TR2

www.teamcracing.net

Driver _____

Track / City _____

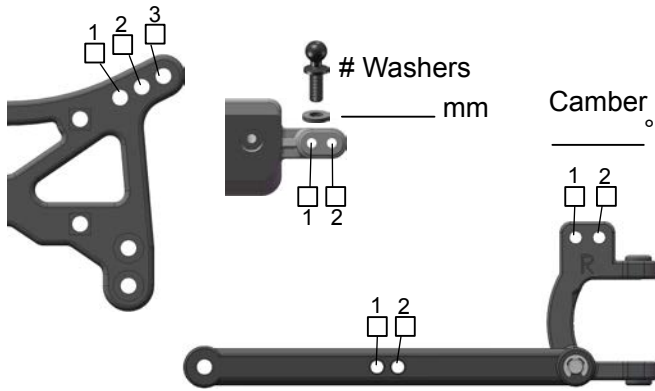
Event _____ Date ____ / ____ / ____

Conditions

- | | | | |
|--|--------------------------------|---------------------------------------|---------------------------------------|
| <input type="checkbox"/> Smooth | <input type="checkbox"/> Bumpy | <input type="checkbox"/> Low traction | <input type="checkbox"/> Med traction |
| <input type="checkbox"/> High traction | <input type="checkbox"/> Sandy | <input type="checkbox"/> Grass | <input type="checkbox"/> Hard soil |
| <input type="checkbox"/> Clay | <input type="checkbox"/> Wet | <input type="checkbox"/> Dry | <input type="checkbox"/> Other |

Front Suspension

Shock Mounting&Camber link



Ride height _____

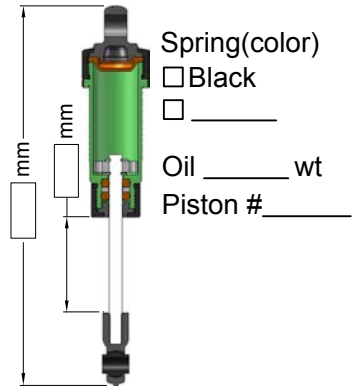
Toe-in (+)/Out (-) _____ °

Bump Steep Spacer _____

Caster
 25°
 30°

Washers
 _____ mm

Front Shocks



Spring(color)

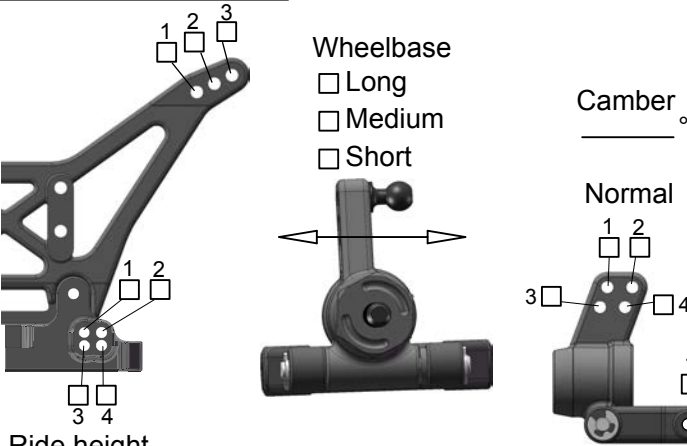
Black

Oil _____ wt

Piston # _____

Rear Suspension

Shock Mounting&Camber link



Ride height _____

Wheelbase

Long

Medium

Short

Camber _____ °

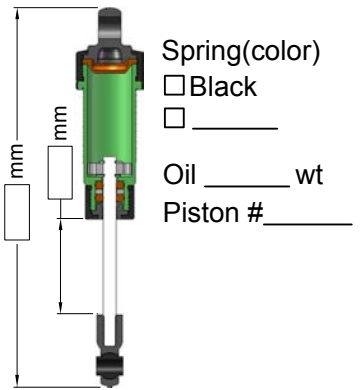
Aluminum(Opt)

Washers

_____ mm

Normal

Rear Shocks



Spring(color)

Black

Oil _____ wt

Piston # _____

Front Tires&Wheels

Front Tires _____

Inserts _____ Wheels _____

Rear Tires&Wheels

Rear Tires _____

Inserts _____ Wheels _____

Radio/Batteries

Servo _____

Esc _____

Batteries _____

Motor

Motor _____

Pinion/Spur _____ / _____

Comments

Notes _____



HOBBYPRO COMPANY LTD.

Flat C-D, 5/F.,

Speedy Ind. BLDG.,

114 How Ming Street,

Kwun Tong, KLN., Hong Kong.

Team C Headquarter

www.teamcracing.net

Team C America

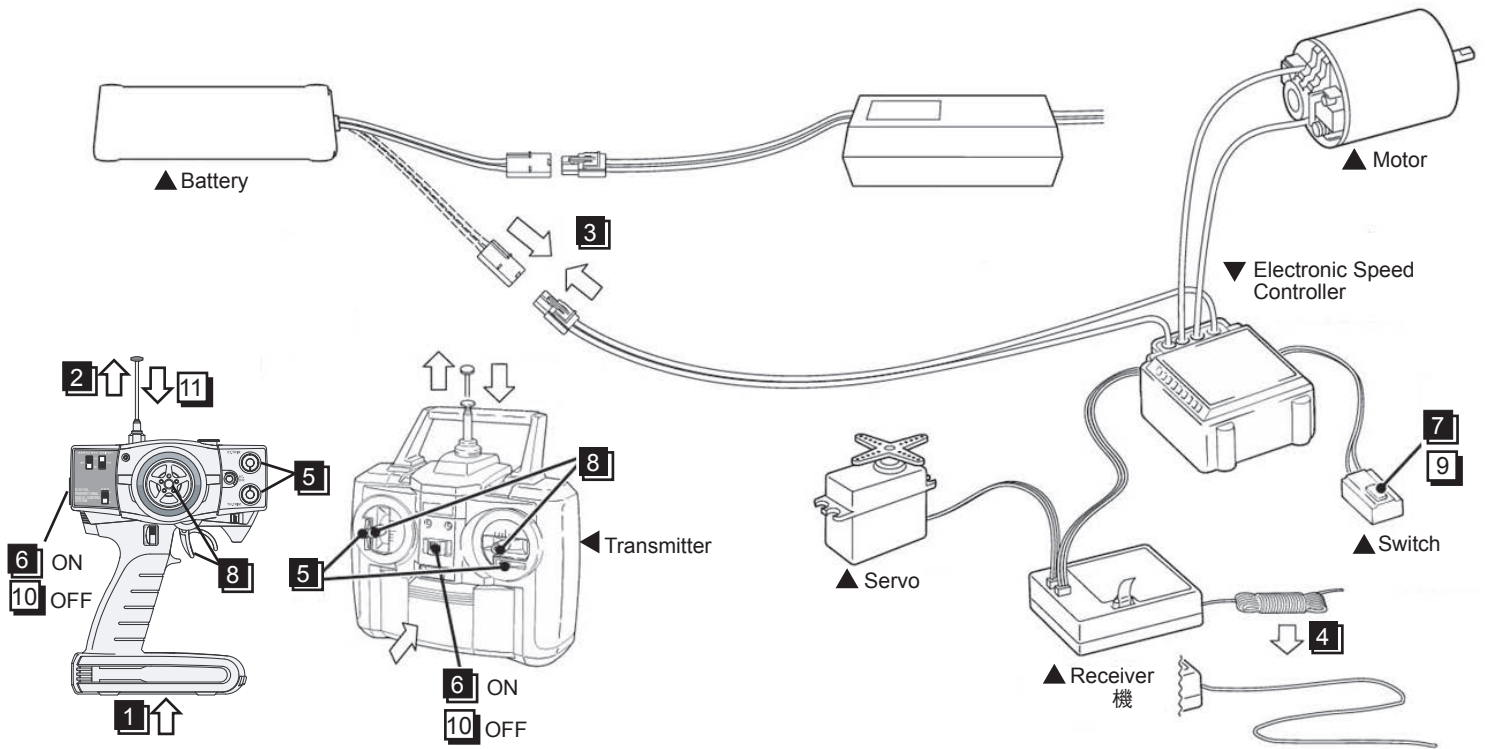
www.teamcamerica.com

Team C Europe

www.teamceurope.com

Transmitter Preparation

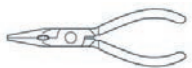
A new Ni-MH battery must be charged before it is used. Refer to the charger instruction manual for charging.



- **Start**
 - 1 Install batteries.(Transmitter)
 - 2 Extend the antenna.(Transmitter)
 - 3 Connect the battery
 - 4 Extend the antenna.(Receiver)
 - 5 Center the trims.
 - 6 Switch on.(Transmitter)
 - 7 Switch on.(Receiver)
 - 8 Make sure the servos are in command.
- **Finish**
 - 9 Switch off.(Receiver)
 - 10 Switch off.(Transmitter)
 - 11 Retract the antenna(Transmitter)

Tools required

● Needle Nose Pliers



● Awi



● Grease



● Screw Cement



● Instant Glue



● Ball differential Grease(Clear)



● SP KINFE EDGE REAMER



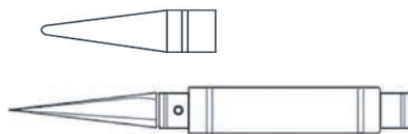
● Wire Cutters



● ROUND CUTTER&SANDER



● Molybdenum Grease(Black)



● Hex Wrench

● Hex Wrench



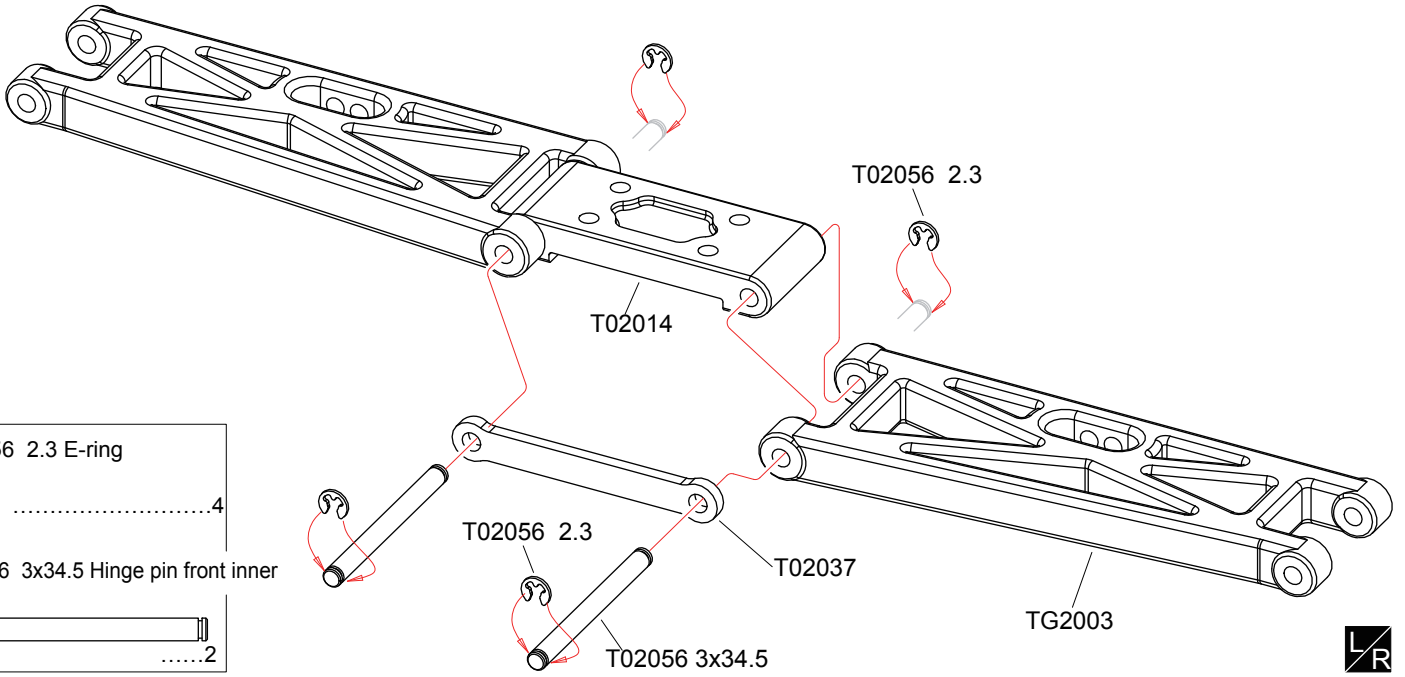
No need to pre-drill precise holes
(1mm to 15mm) can be drilled


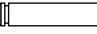
● Sharp Hobby knife



For trimming bodies!

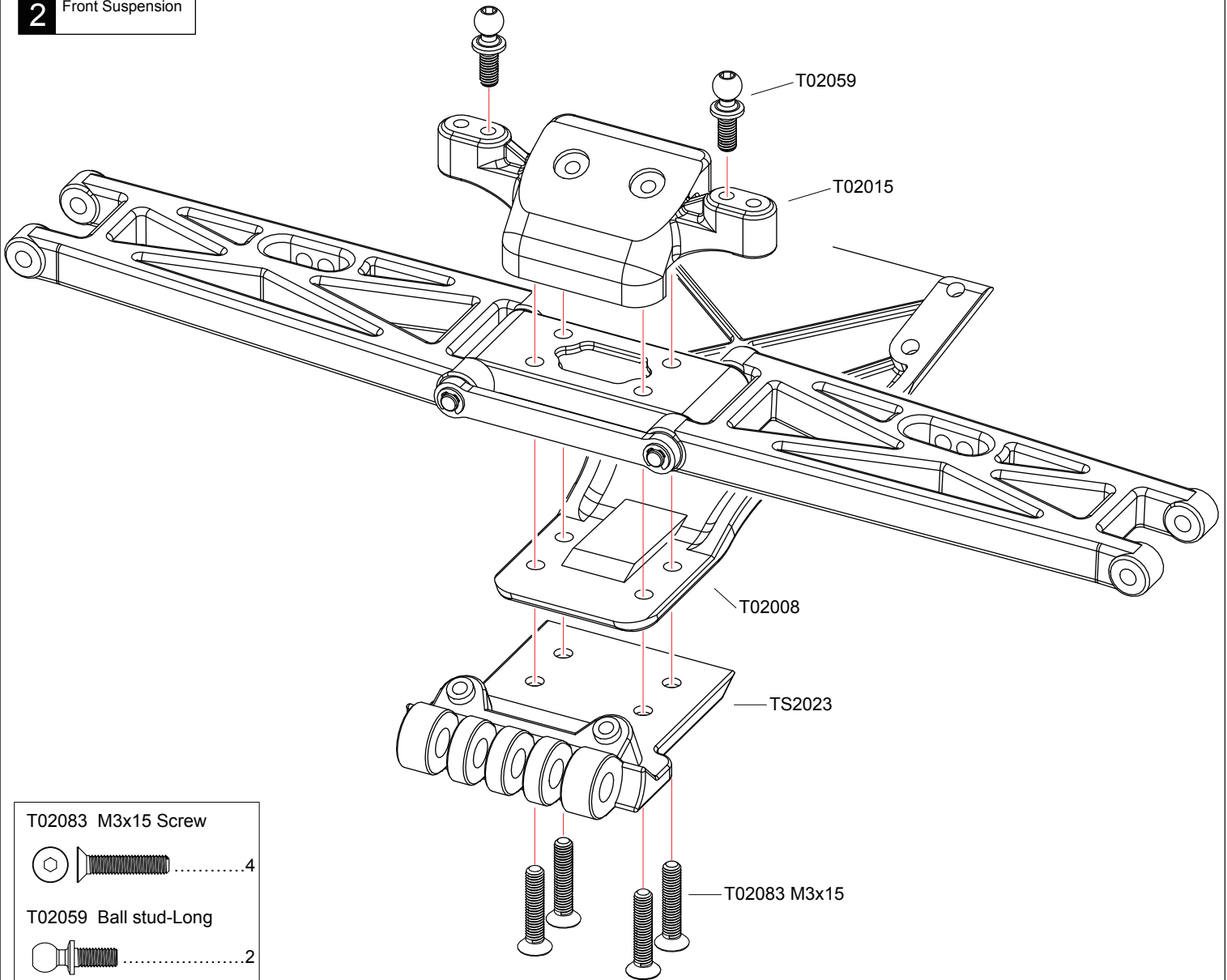
1 Front Suspension





- T02056 2.3 E-ring
4
- T02056 3x34.5 Hinge pin front inner
2

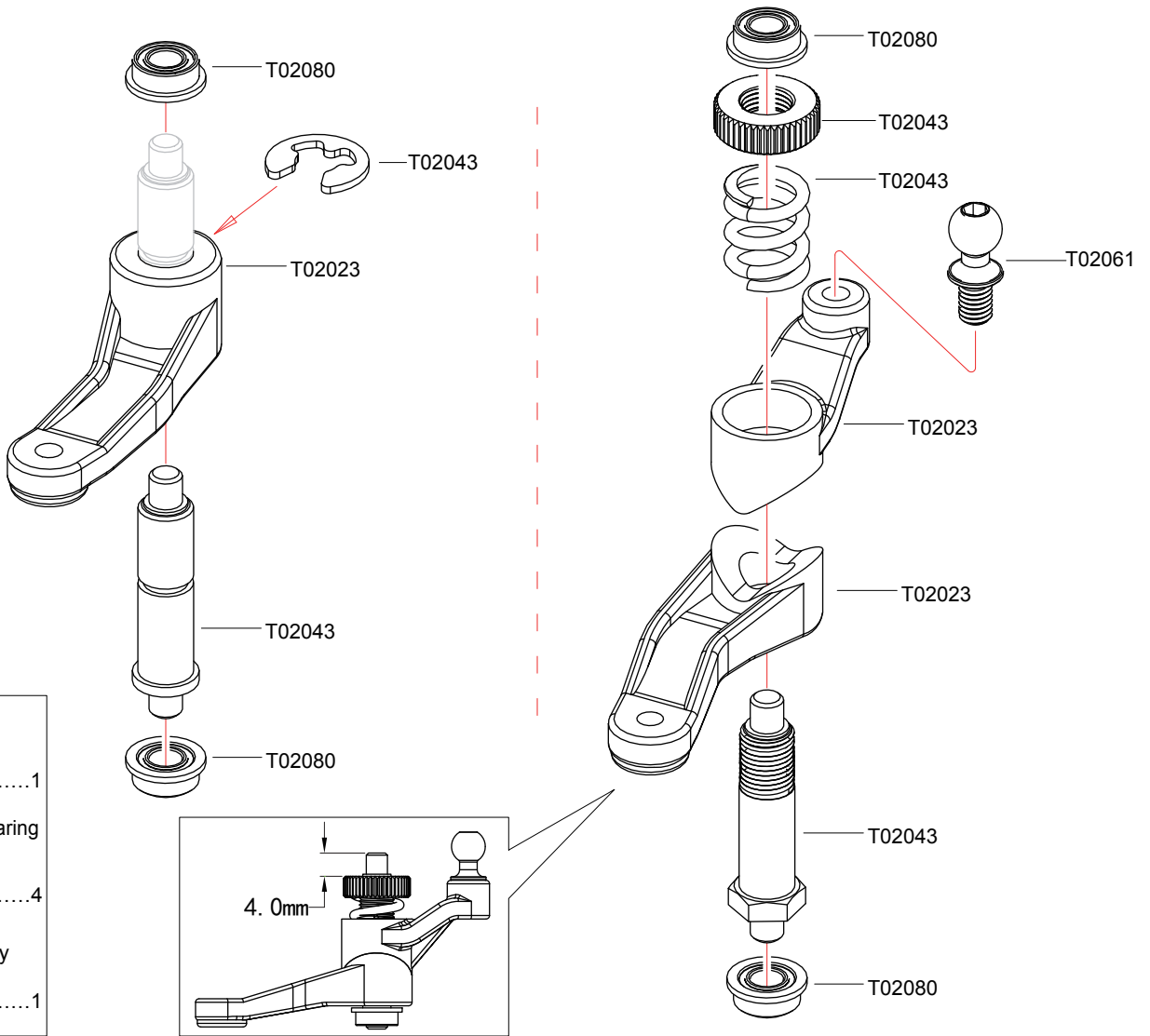


2 Front Suspension

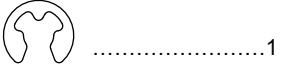


- T02083 M3x15 Screw
4
- T02059 Ball stud-Long
2

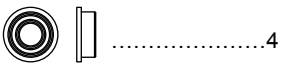
3 Buffer



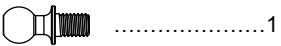
T02043 4.0 E-ring



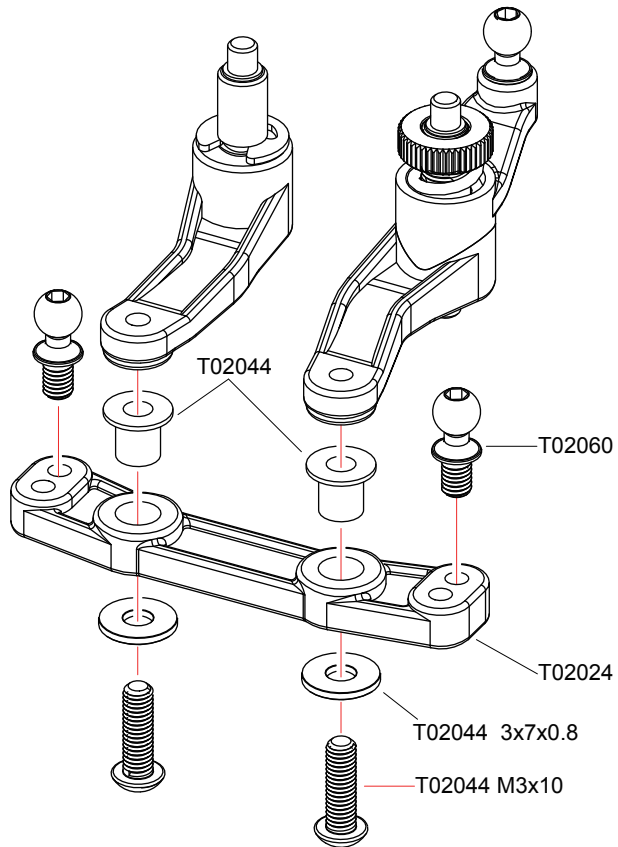
T02080 3x6x2.5 Ball Bearing



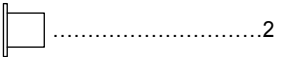
T02061 Ball stud-Silvery



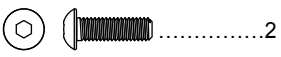
4 Buffer



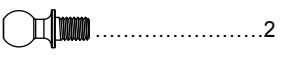
T02044 Block Carrier



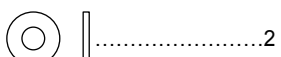
T02044 M3x10 Screw



T02060 Ball stud-Short



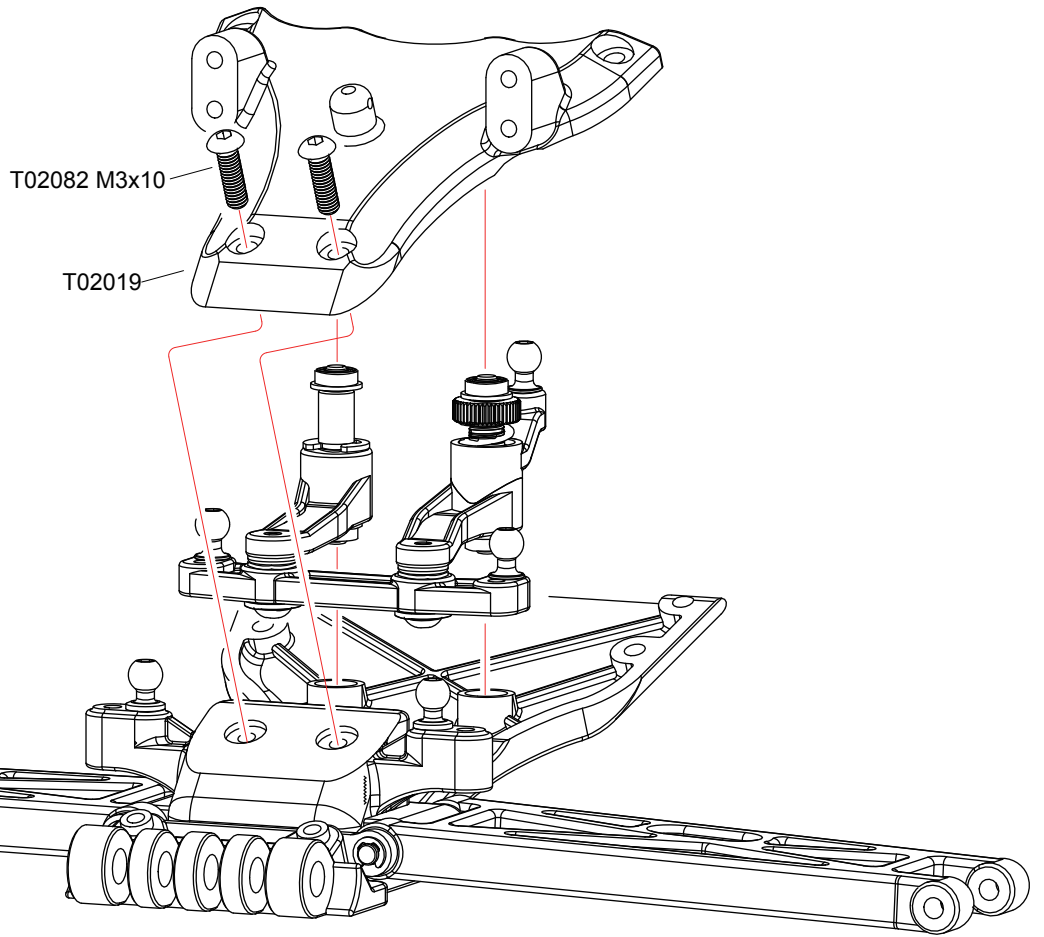
T02044 3x7x0.8 Washer



5 Front Suspension

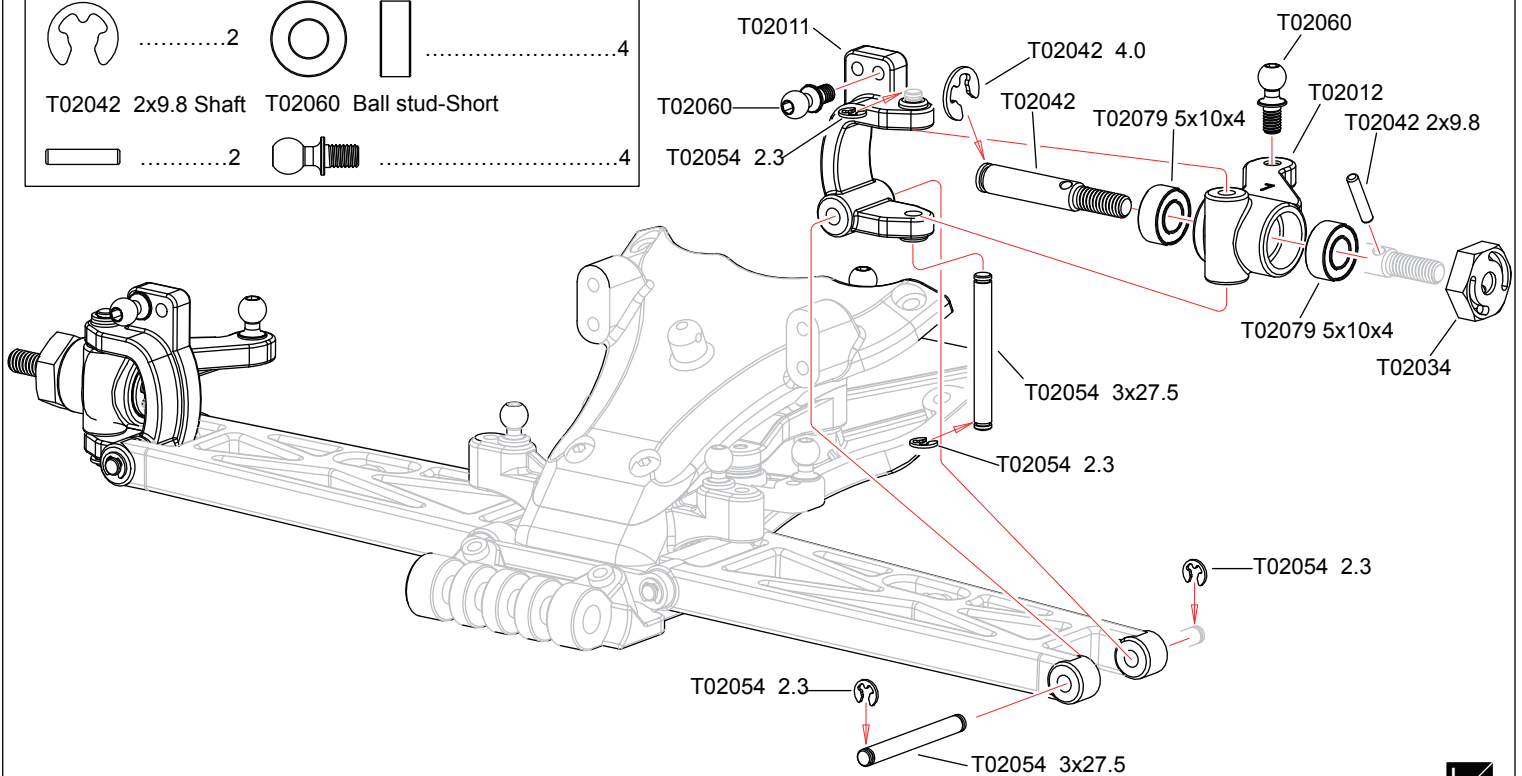
T02082 M3x10 Screw

.....2

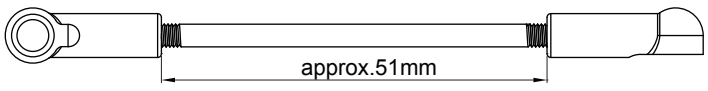
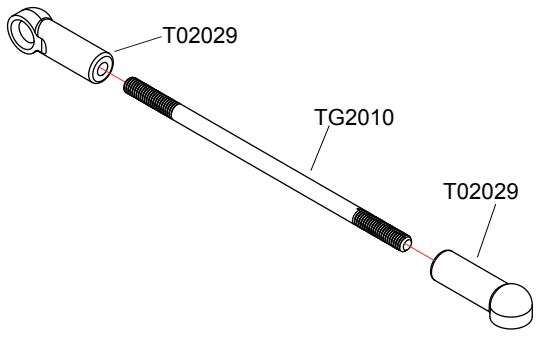


6 Front Suspension

T02054 2.3 E-ring	T02054 3x27.5 Hinge pin front outer
.....84
T02042 4.0 E-ring	T02079 5x10x4 Contain oil ball bearing
.....24
T02042 2x9.8 Shaft	T02060 Ball stud-Short
.....24

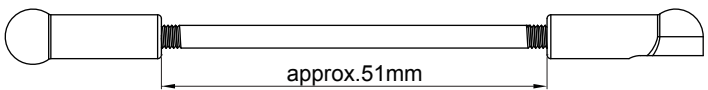


7 Turnbuckle
拉杆



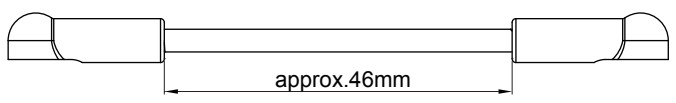
Front Upper-Left

x1 1:1



Front Upper-Right

x1 1:1

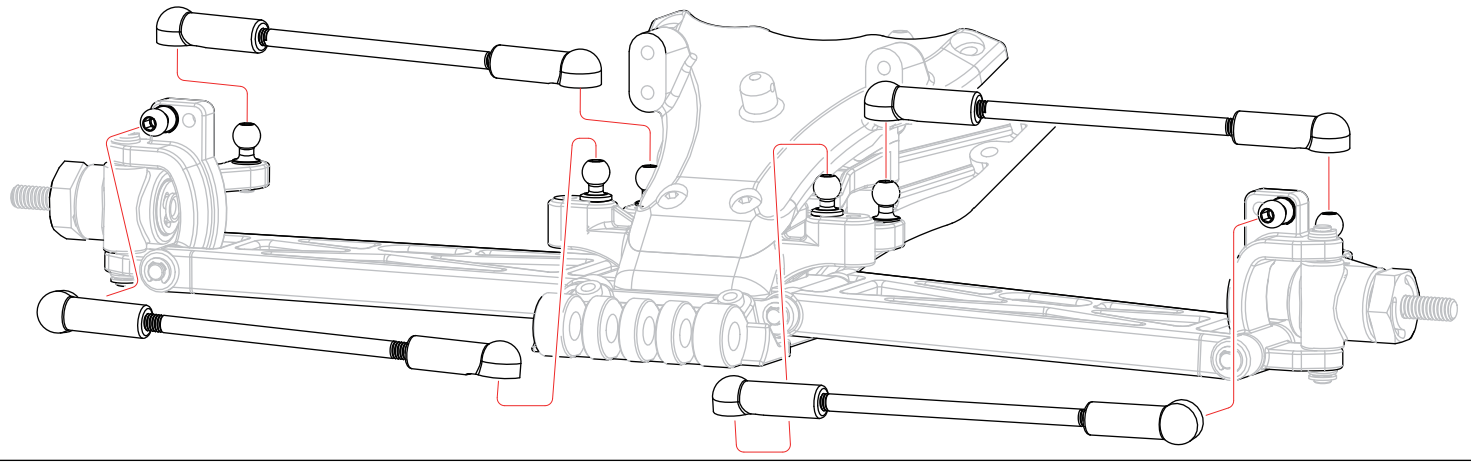


Steering Tip

x2 1:1

T02029 4.8mm Ball End-Long TG2010 3x68 Turnbuckle

8 Front Suspension



9 Front Suspension

T02082 M3x22

T02117

TG2005

T02082 M3x10

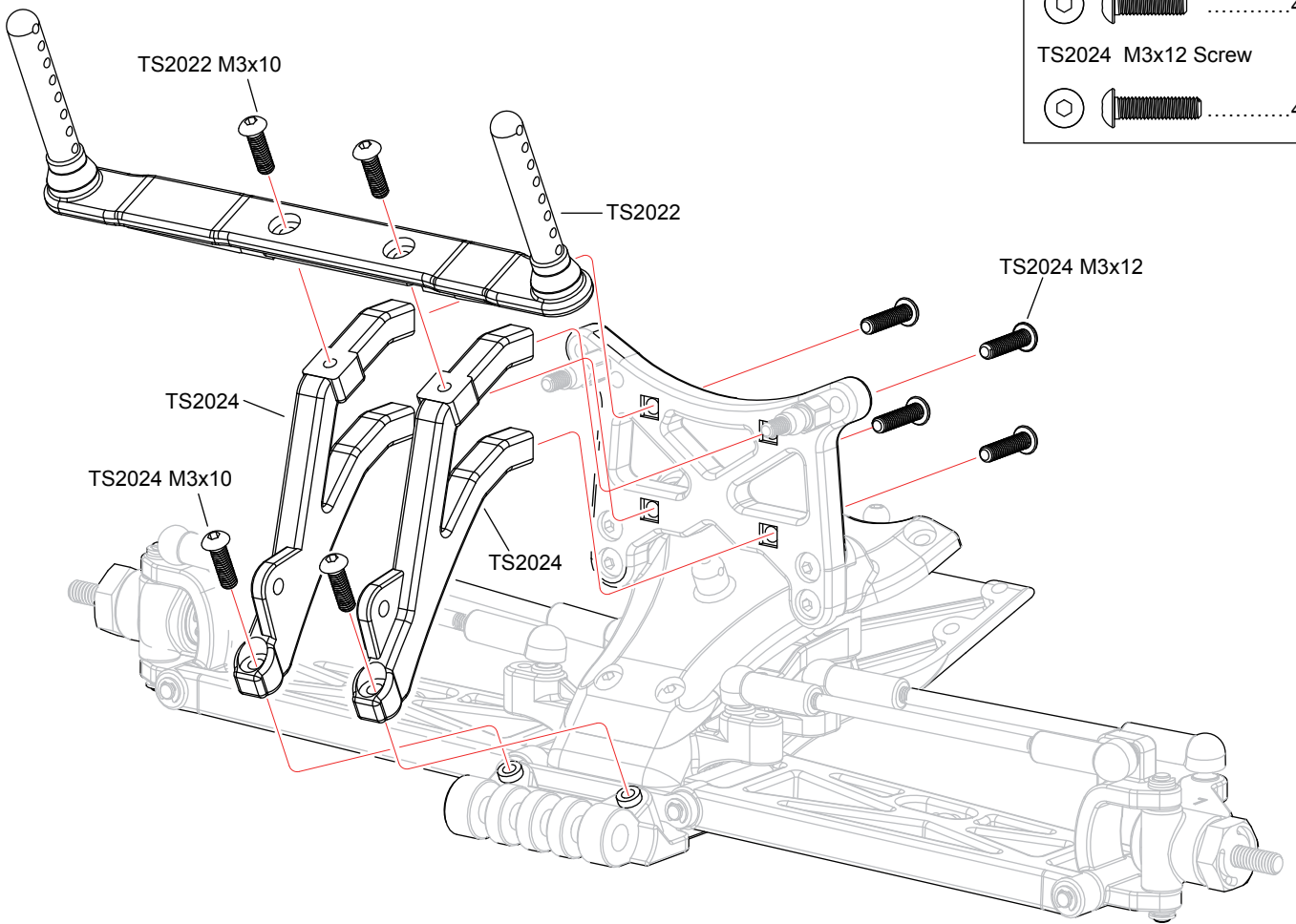
T02082 M3x10 Screw T02082 M3x22 Screw T02117 5mm Plastic Ball stud

10 Front Suspension

TS2022/TS2024 M3x10 Screw



TS2024 M3x12 Screw



11 Front Suspension

TS2023 M3x8 Screw



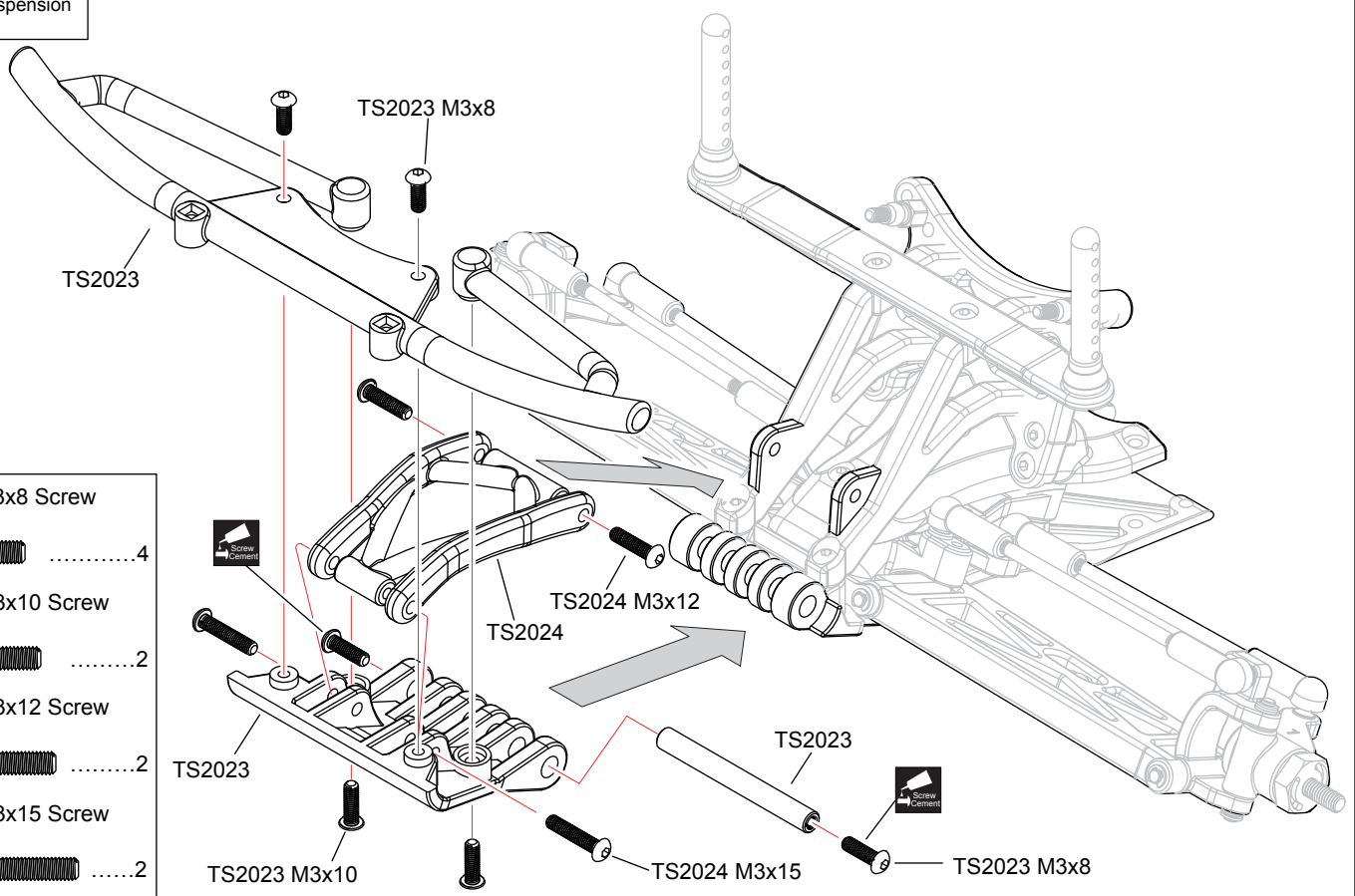
TS2023 M3x10 Screw



TS2024 M3x12 Screw



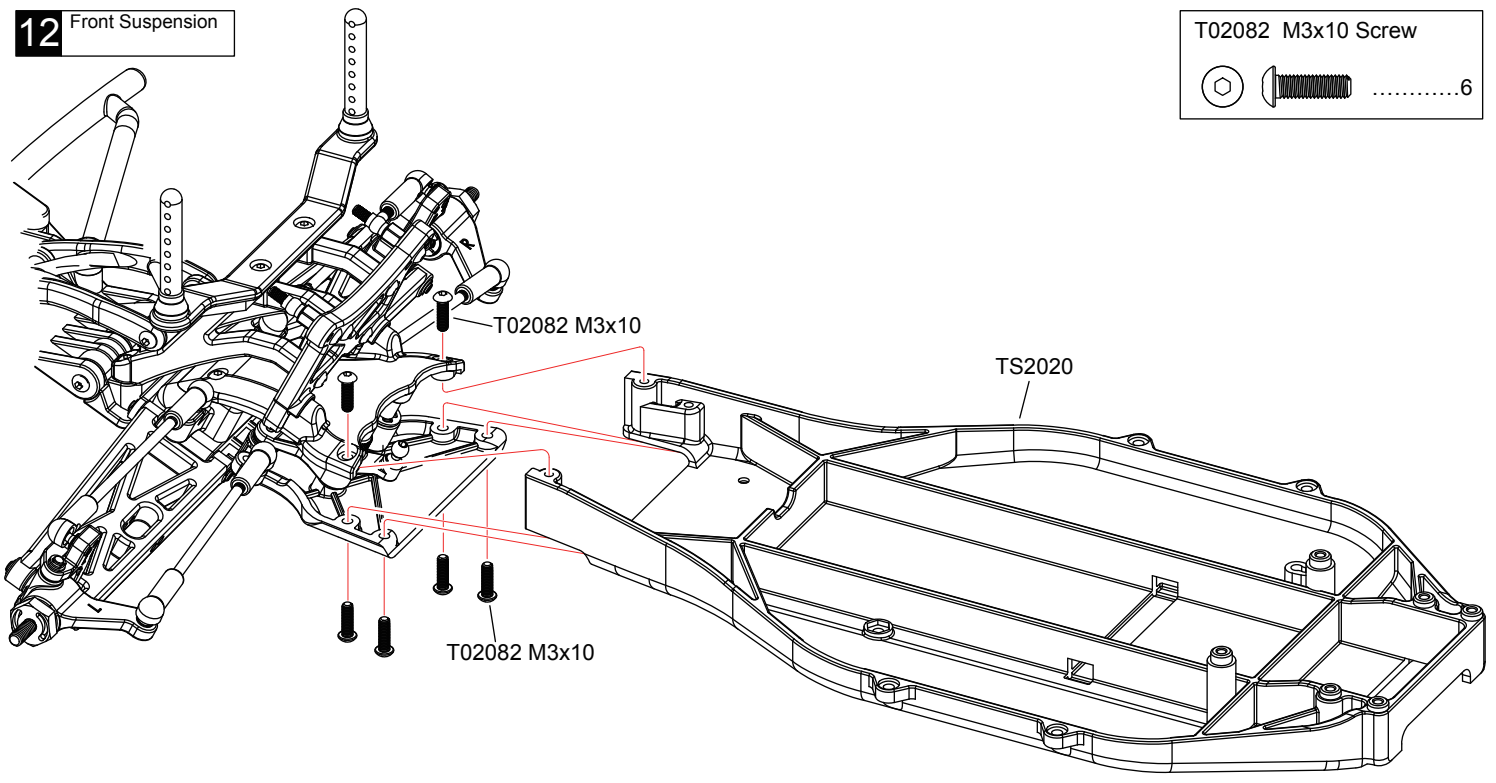
TS2024 M3x15 Screw



Apply threadlock

12 Front Suspension

T02082 M3x10 Screw

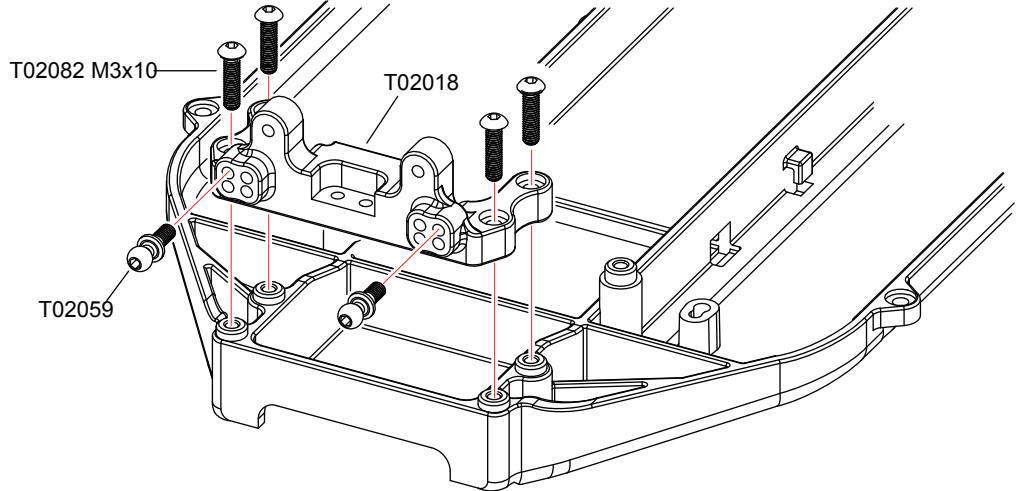
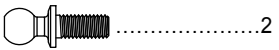


13 Rear Suspension

T02082 M3x10 Screw

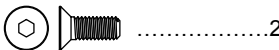


T02059 Ball stud-Long



14 Rear Suspension

T02083 M3x8 Screw



T02055 3x48 Hinge Pin Rear Inner

